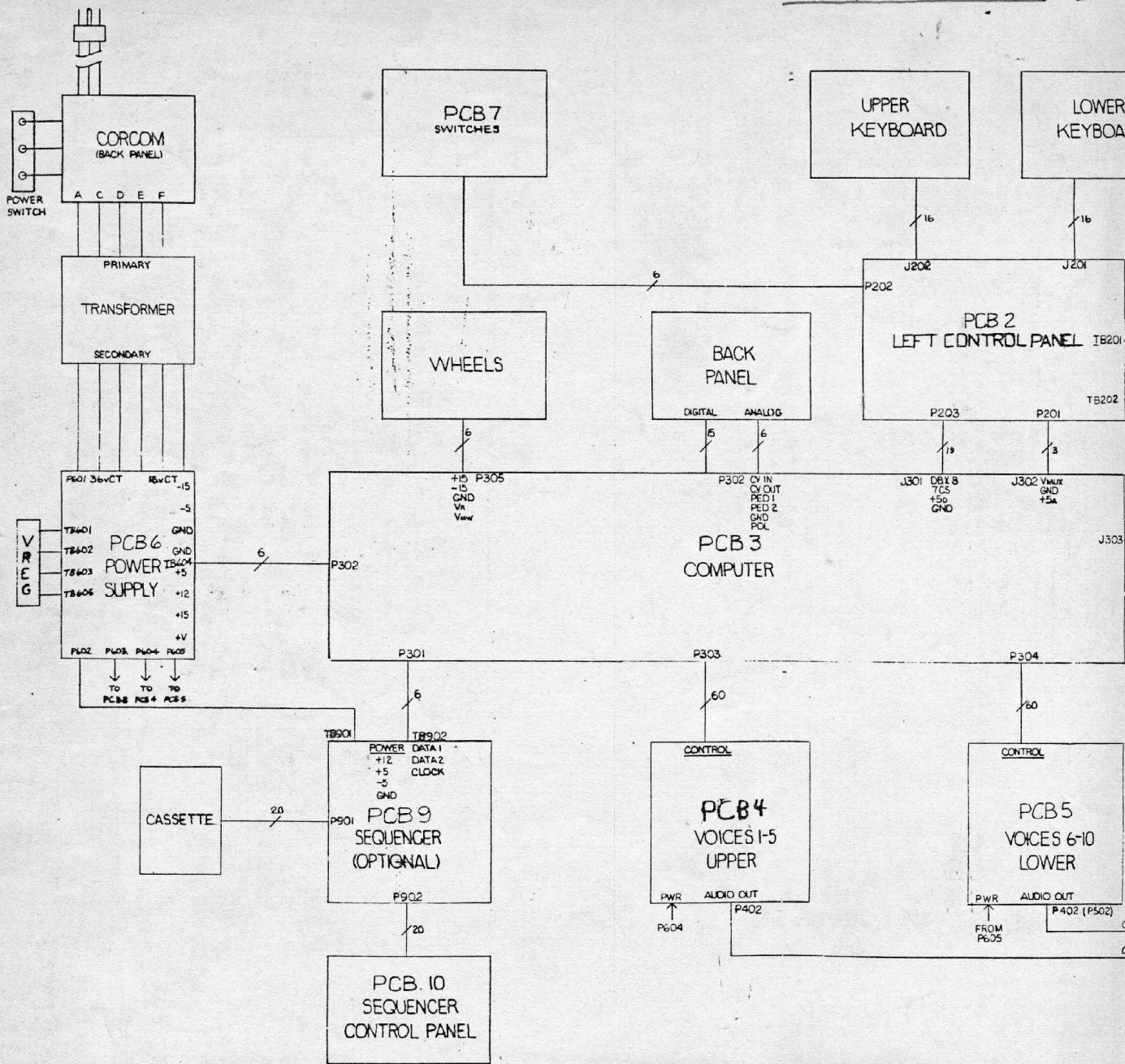
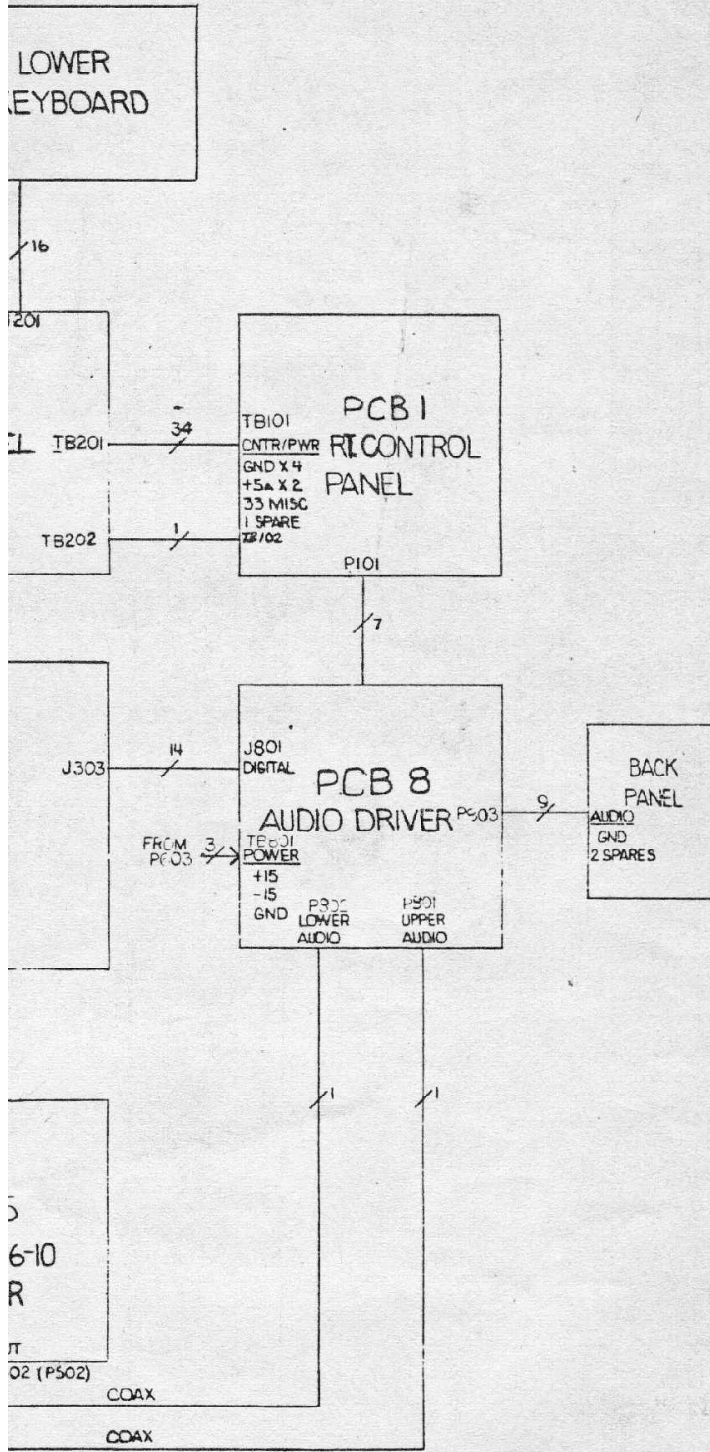


Prophet 10 (5)



(5) (SEQUENCER)

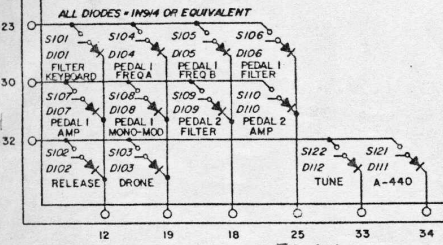
1



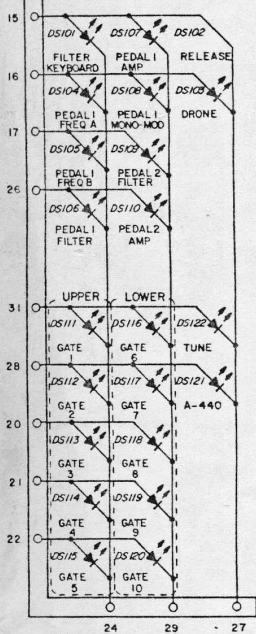
PRELIMINARY
REFER CHANGES TO ENGINEERING DEPT.

SEQUENTIAL CIRCUITS INC	
SYSTEM INTERCONNECT	
REV	D
DATE	10/10

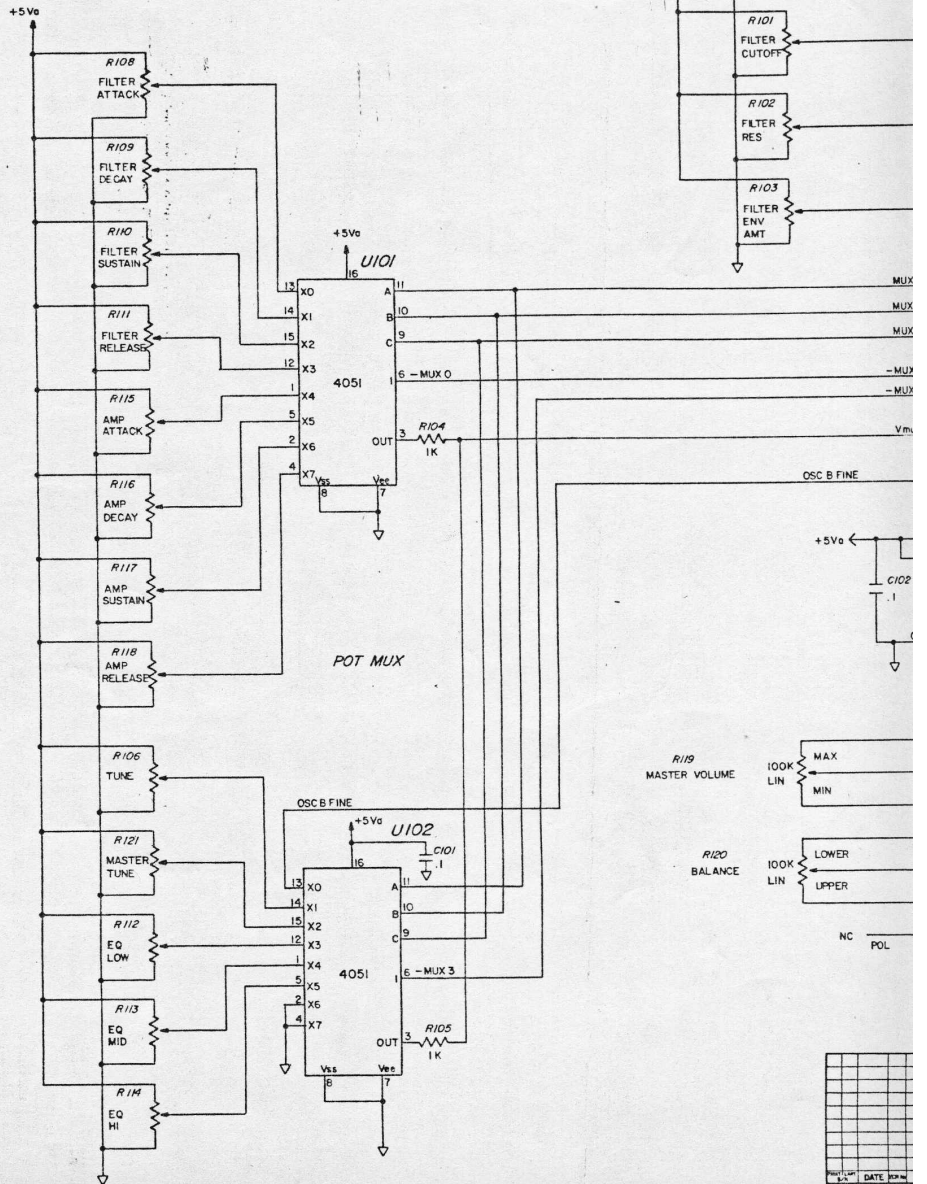
TB101 SWITCHES



TB101 LEADS

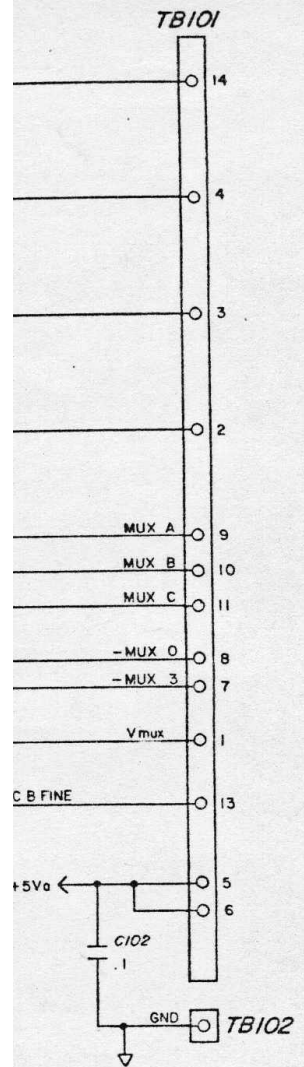


4 TB101
P. 3
VOICE
ASSIGNMENT

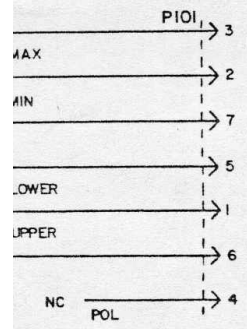


2

FRONT PANEL
POTS. & leds



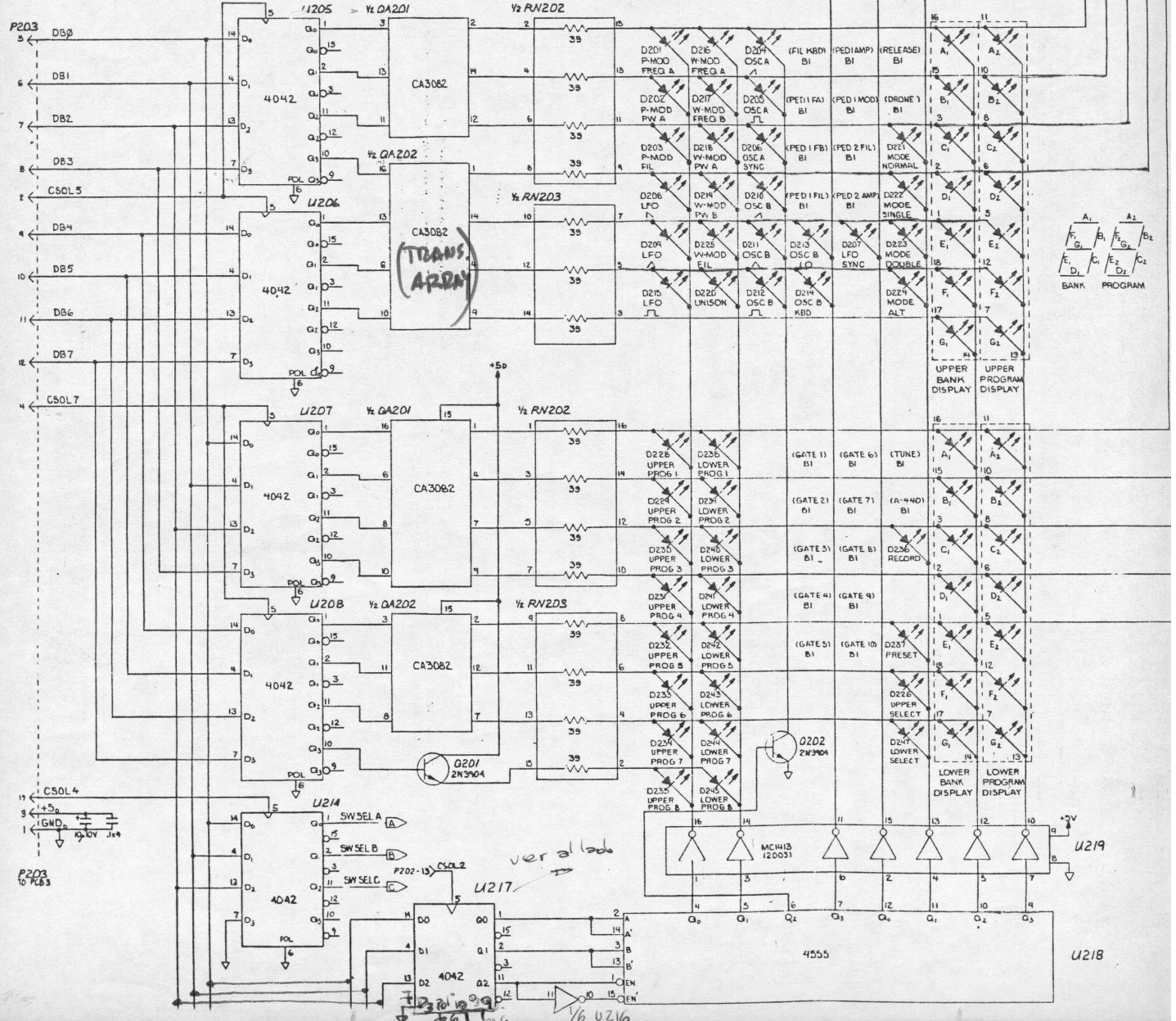
POTES: 10K LIN



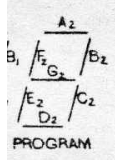
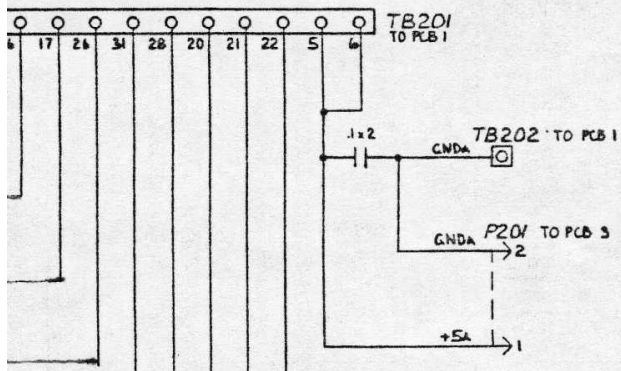
		SEQUENTIAL CIRCUITS INC	
		TITLE	
		PCBI-POTMUX, SW, LED	
D	DSN	REV	D
C	DWG	DOCUMENT No.	1010
B	APP	SD121	1
A	ISS	SHEET 1 OF 1	
DATE	REV	REVISION	LTN

2 TB 201 P2

TB201 TO PLB1 24 25 27 15 16 17 28 31

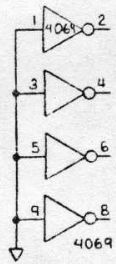


FRONT PANEL
LEDS & DRIVE

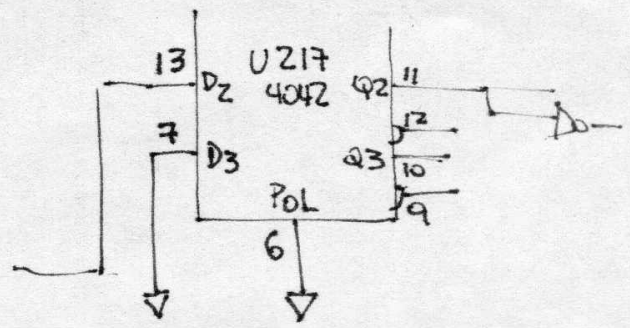
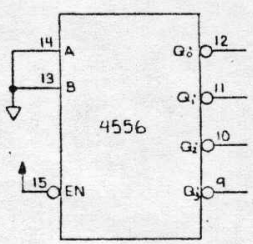


SPARES:

2/5 U216

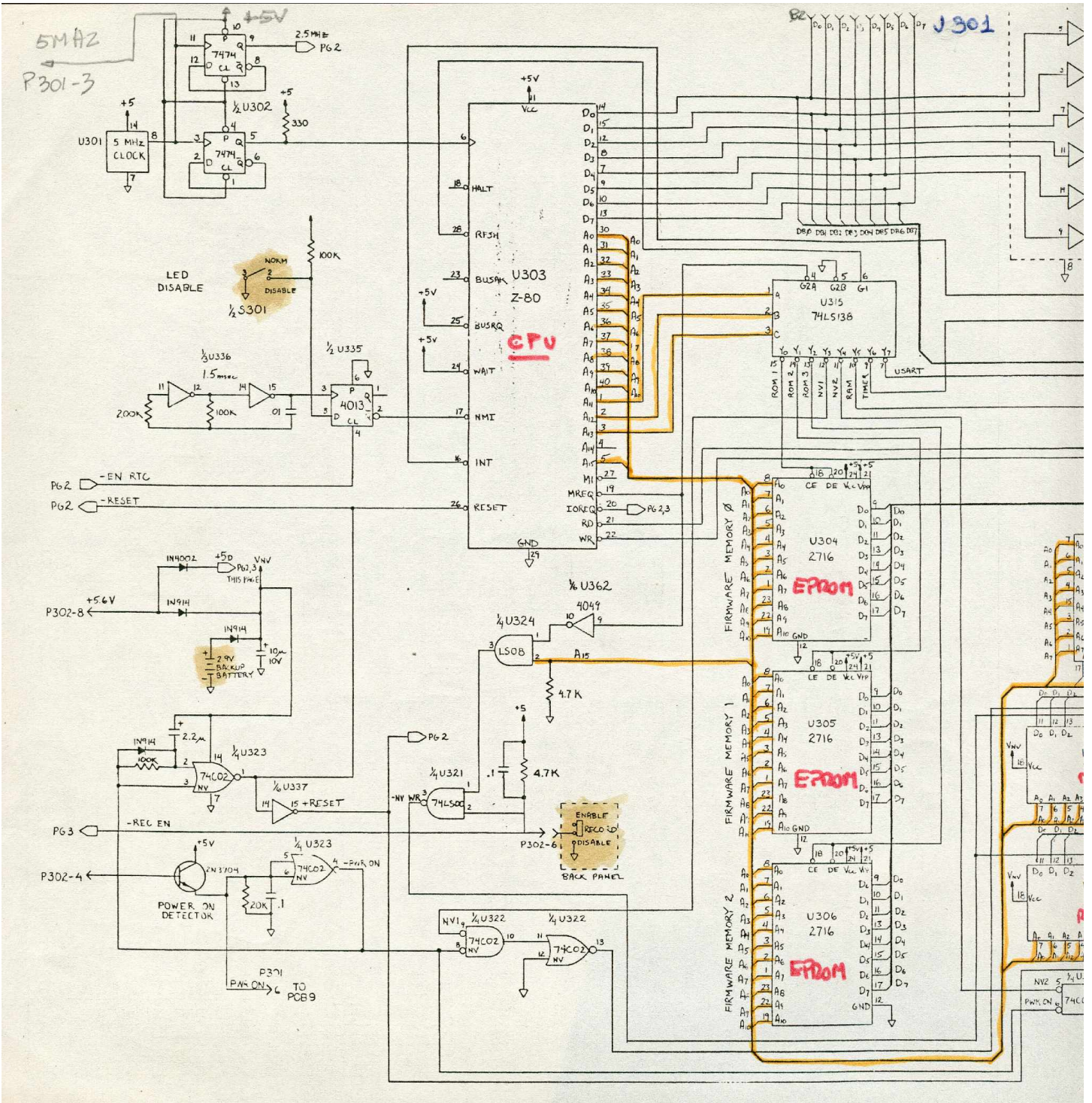


1/2 U203

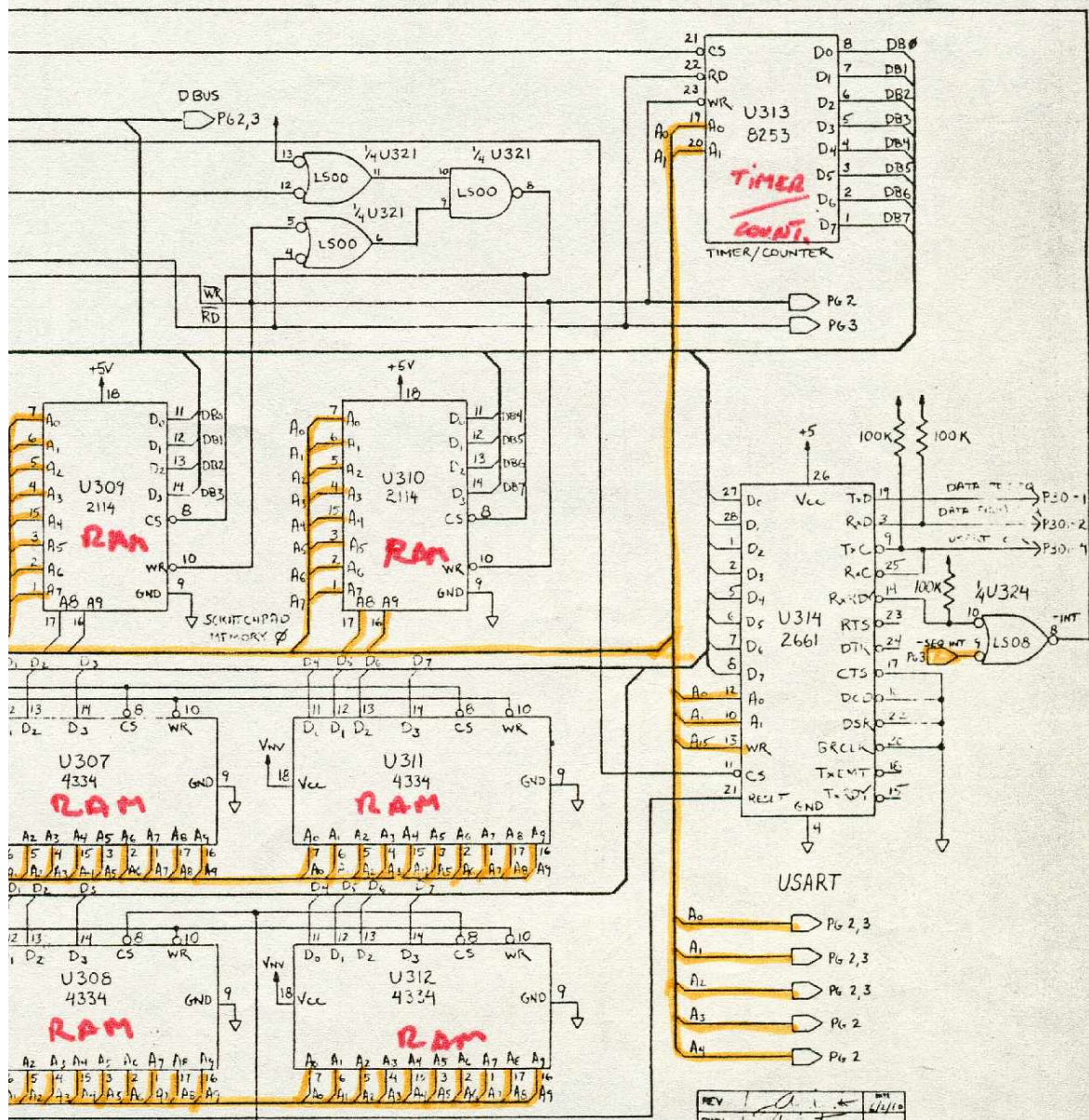
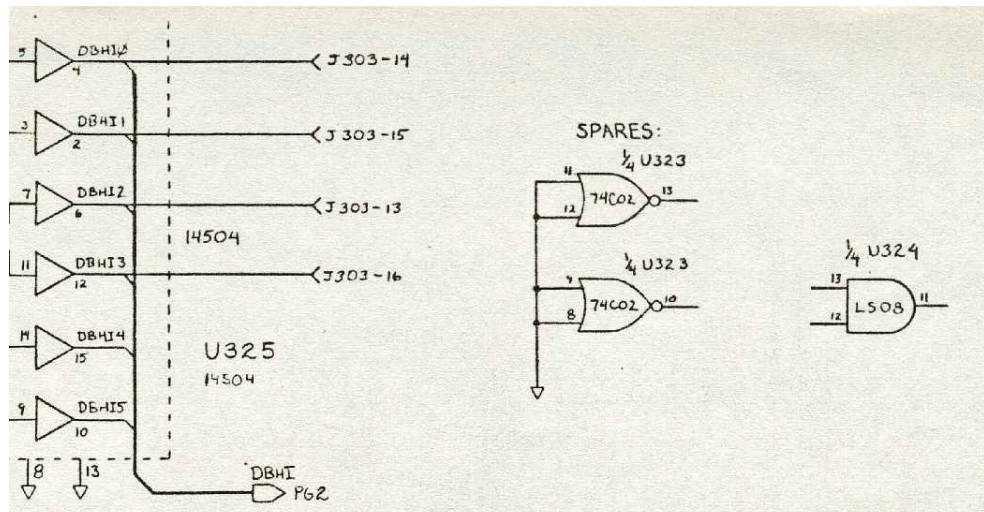


2-1

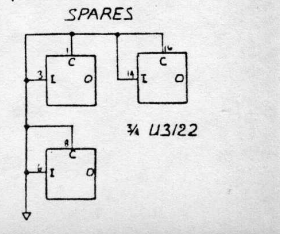
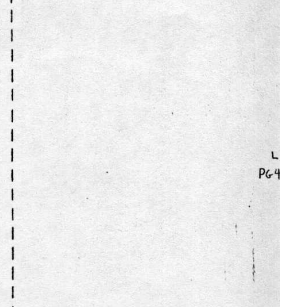
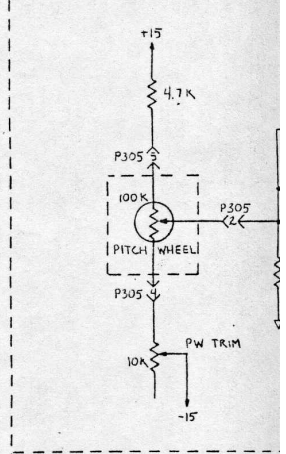
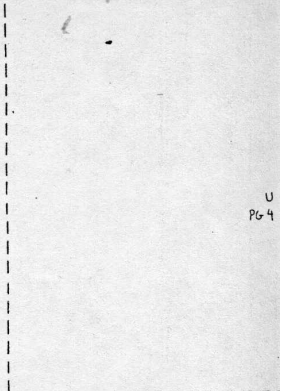
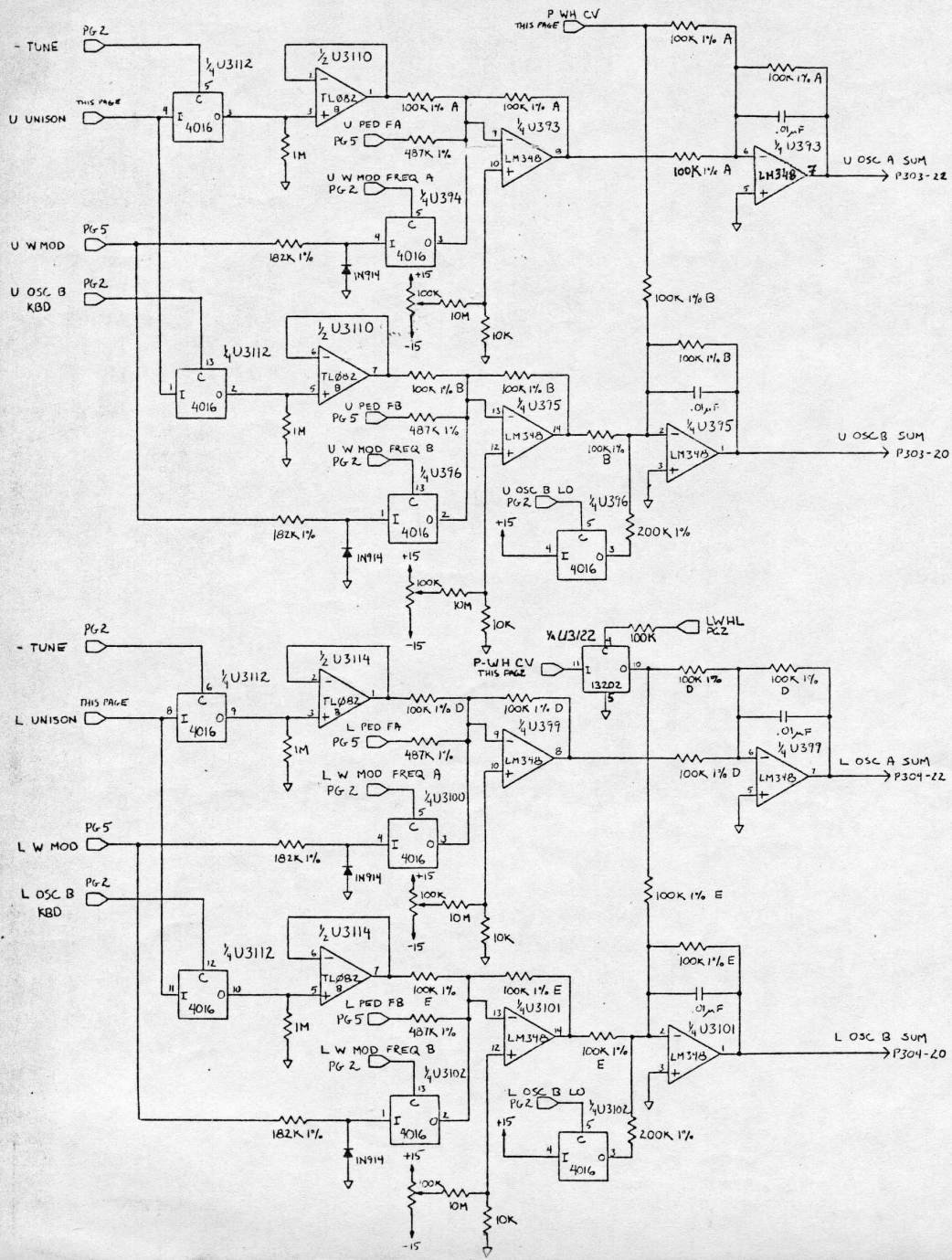
REV. FOR ATTENTION SPECIFIC					J	SEQUENTIAL CIRCUITS INC PCB2 (LEFT CONTROL PANEL)
MANUFACTURED AND ASSEMBLED					H	
DATE					G	
BY					F	
CHKD					E	
DATE					D	DRN

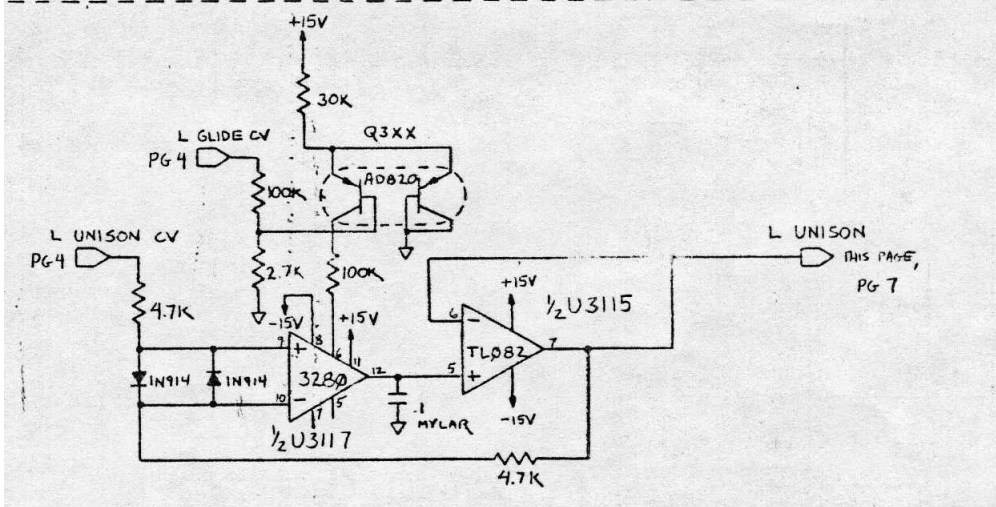
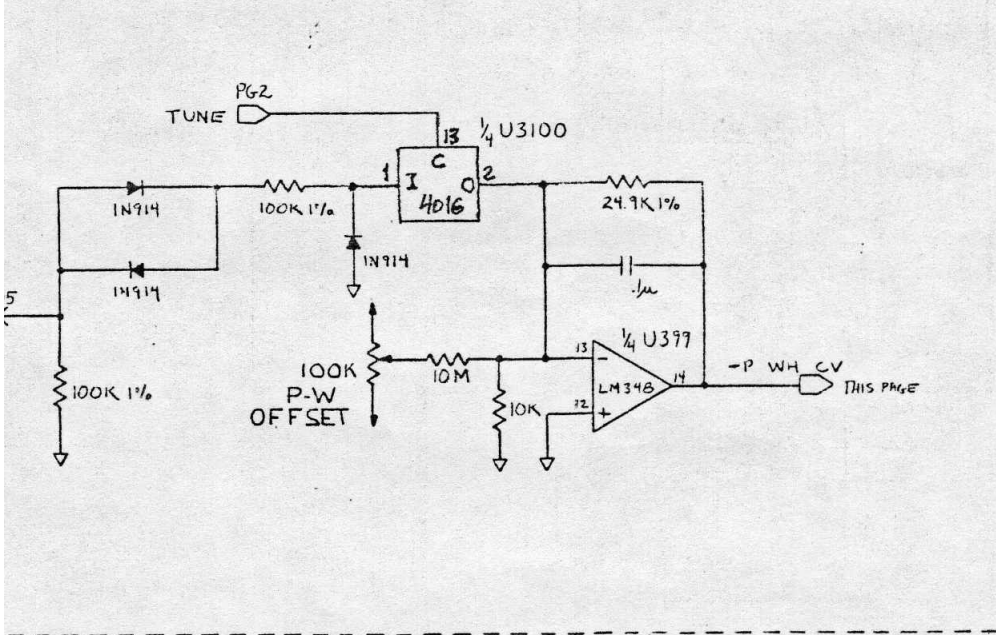
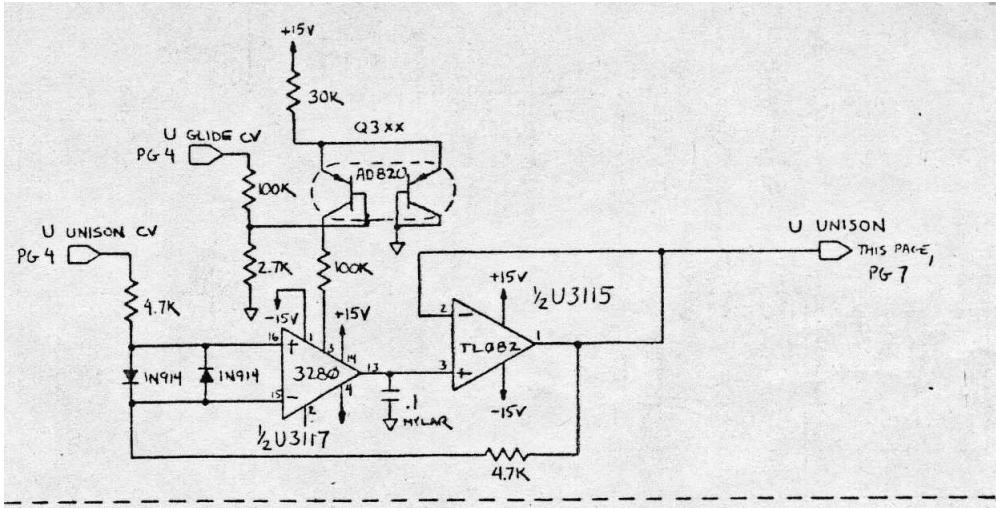


COMPUTER 2



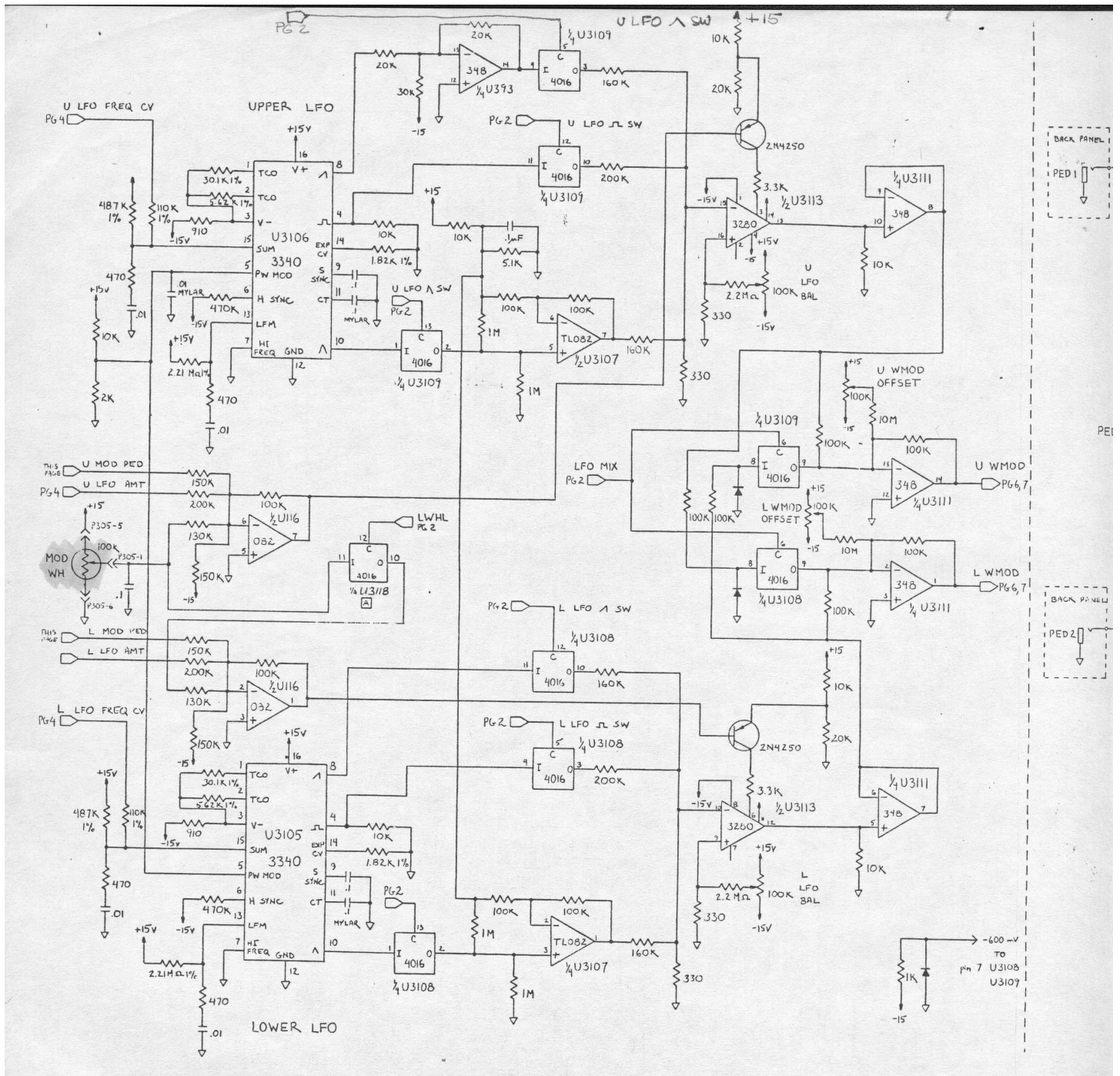
REV	1	DATE	4/10
DESIGN	1	DATE	4/10
SEQUENTIAL CIRCUITS INC			
TITLE PCB 3 COMPUTER BOARD			
D	DSN	REV	10/10
C	DWG	DOCUMENT IN	
B	APP	SD311 3-1	
A	ISS	SHEET 1 OF 7	
SCALE	PROJECT NO.	DATE	REVISION

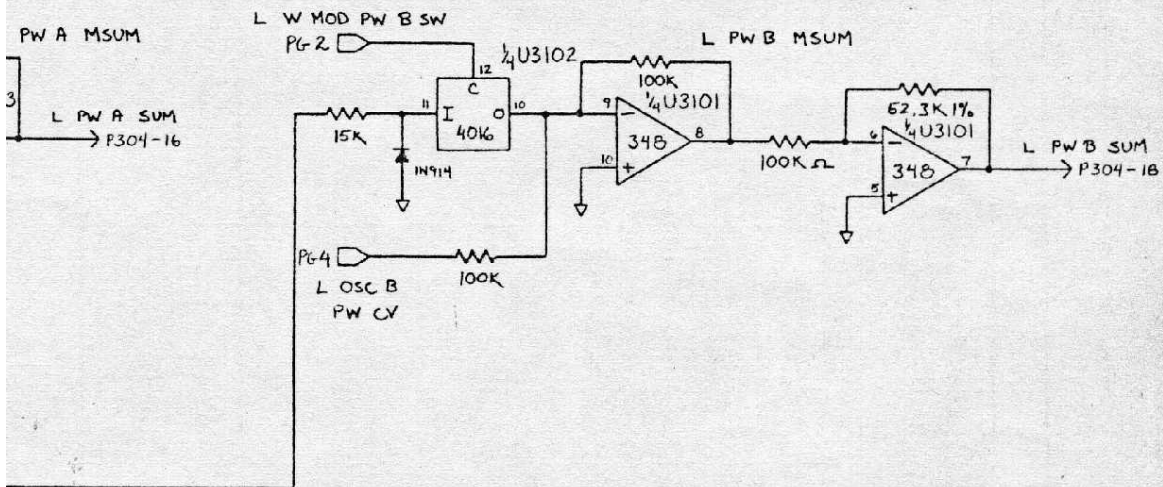
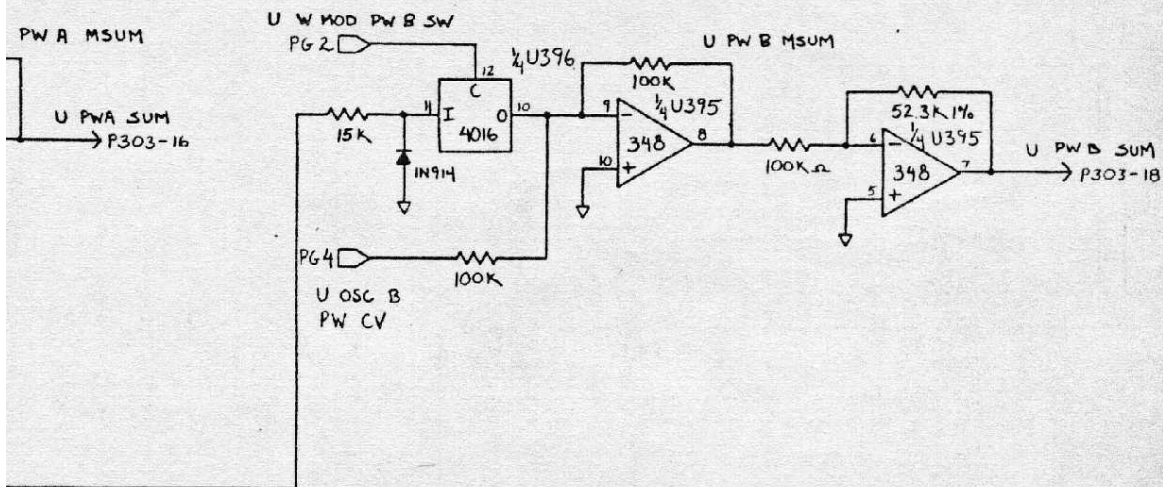
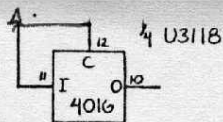




REV	6/2/80
DATE	4/81

J	SEQUENTIAL CIRCUITS INC	
H	COMMON ANALOG	
G	3-6	
F	DBM	4010
E	DOC	4010
D	DOC	4010
C	DOC	4010
B	DOC	4010



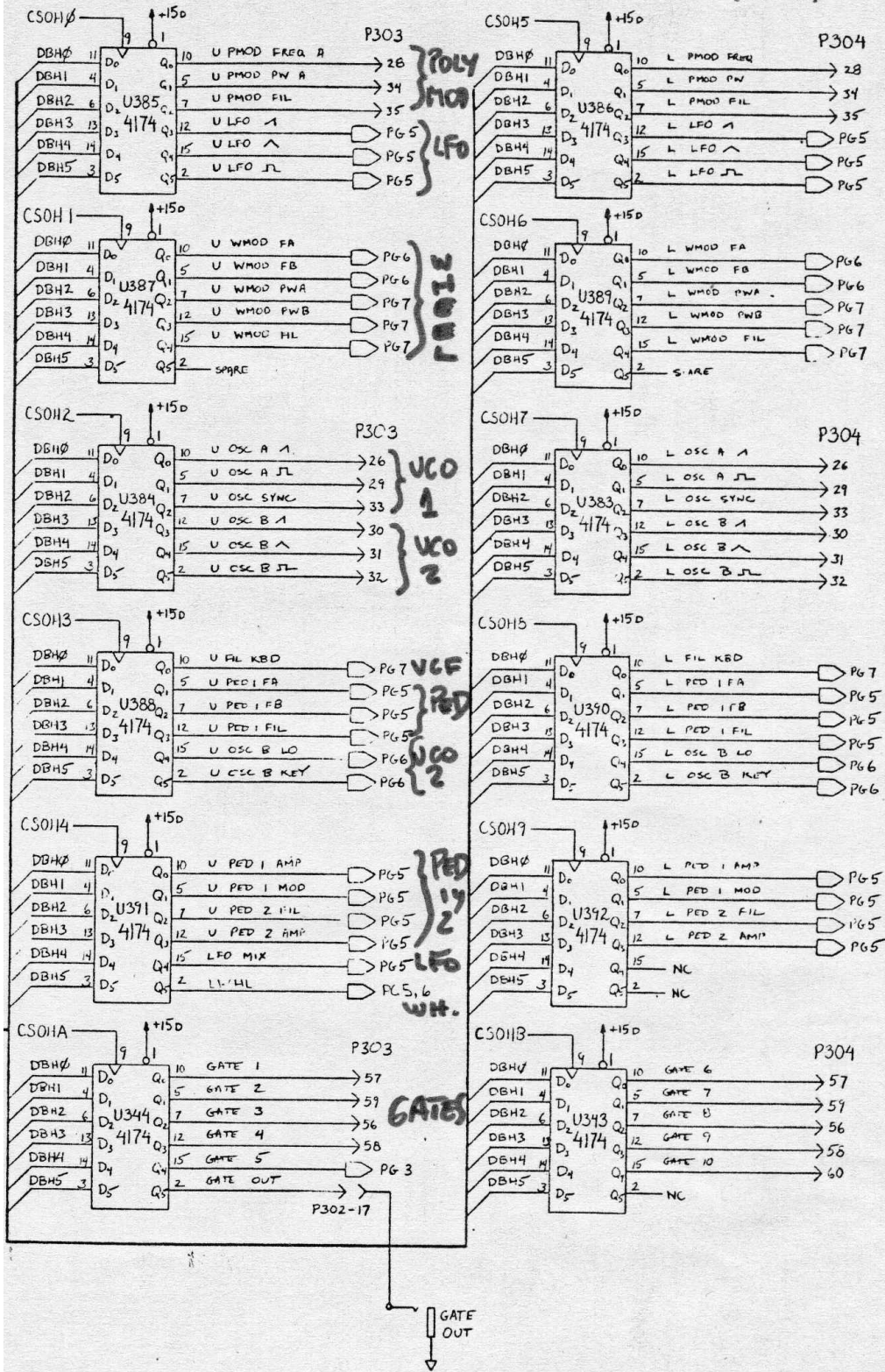


REV for the 4th
 DWN for the 4th

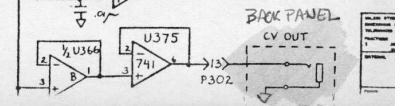
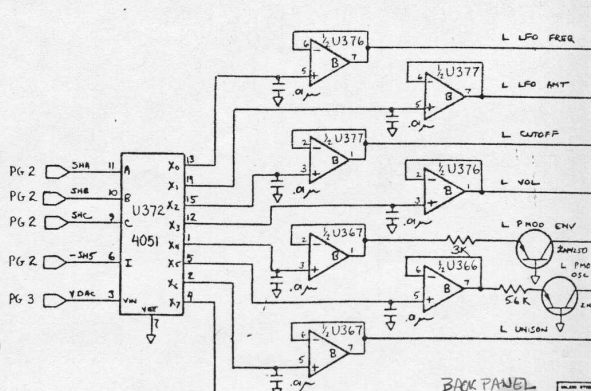
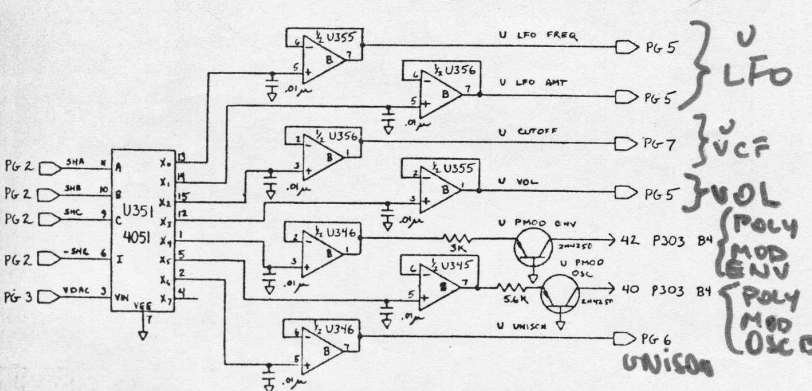
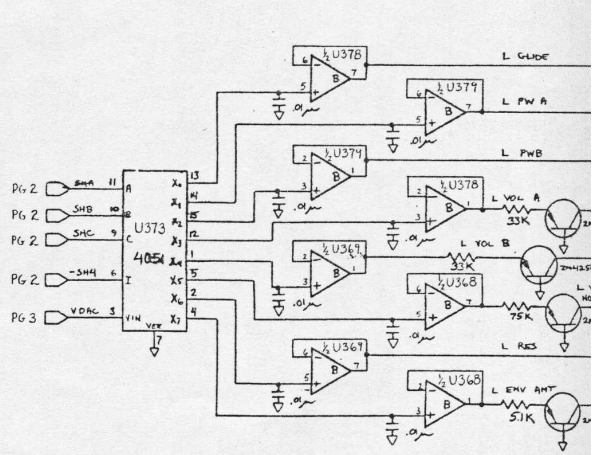
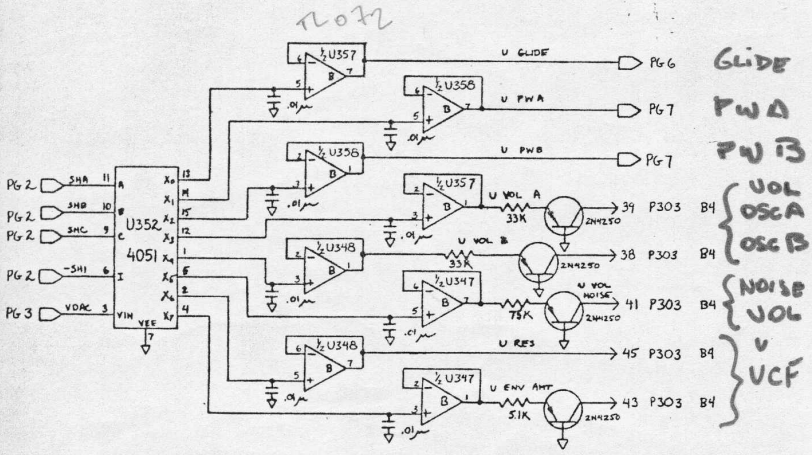
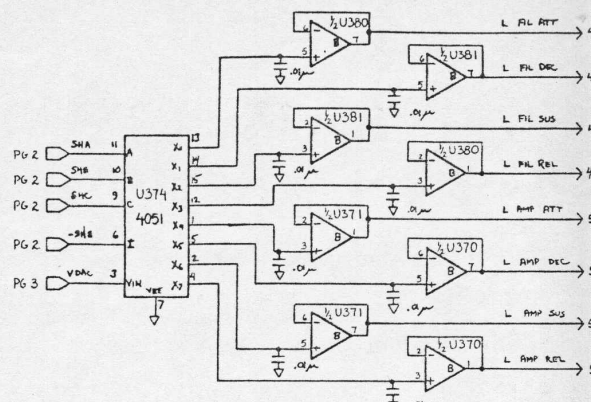
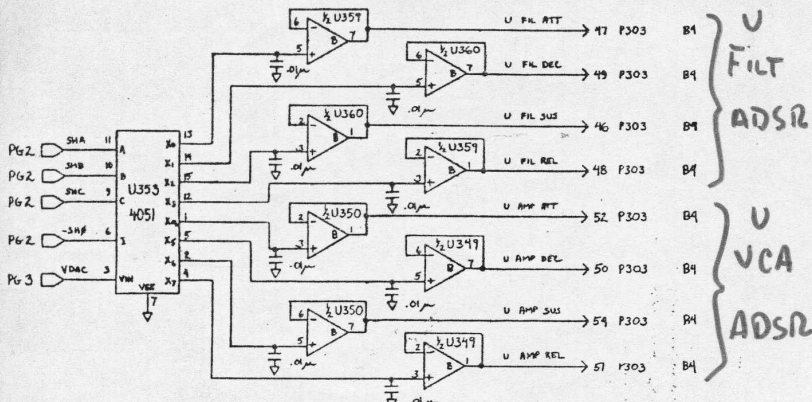
VALID PROGRAMS: PROGRAMS IN USE: PROGRAMS TO BE DELETED: DATE:		SEQUENTIAL CIRCUITS INC TITLE: COMMON ANALOG TB 3-7	
DESIGNED BY:	DATE:	DESIGNED BY:	DATE:
CHECKED BY:	DATE:	CHECKED BY:	DATE:
APPROVED BY:	DATE:	APPROVED BY:	DATE:
SCALE:	DATE:	SCALE:	DATE:
REVISED BY:	DATE:	REVISED BY:	DATE:
DATE:	REVISION:	DATE:	REVISION:
DRAWN BY:		DOCUMENT NO: SD311	
DATE:		SHEET 7 OF 7	

SWITCHES STATUS

COMPUTER (CONT)



REV	1	1/1/75	WHL
DSN	2	2/1/75	WHL
SEQUENTIAL CIRCUITS INC			
TITLE PCB3 COMPUTER BOARD 3-2			
D	DSN	REV	DATE
C	DWG	DOCUMENT NO.	1010



COMPUTER
S&H

- 47 P304 B5
- 49 P304 B5
- 46 P304 B5
- 48 P304 B5
- 52 P304 B5
- 50 P304 B5
- 54 P304 B5
- 51 P304 B5

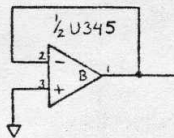
- PG 6
- PG 7
- PG 7

- 39 P304 B5
2M4250
- 38 P304 B5
2M4250
- 41 P304 B5
L VOL NOISE
2M4250
- 45 P304 B5
- 43 P304 B5
2M4250

- FREQ → PG 5
- INT → PG 5
- F → PG 7
- PG 5

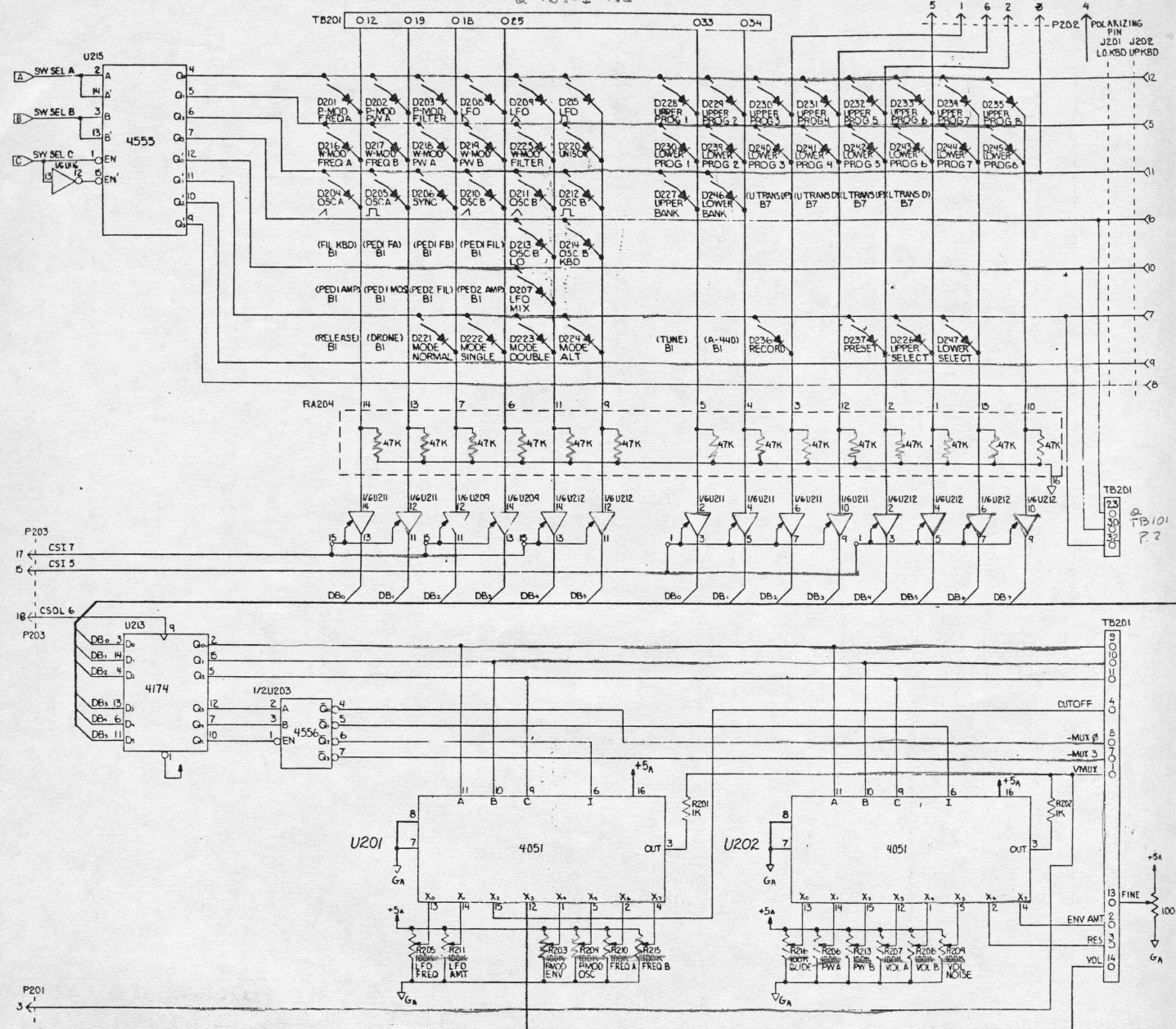
- ENV → 42 P304 B5
2M4250
- 40 P304 B5
L PMOD OSC
2M4250
- PG 6

SPARE:



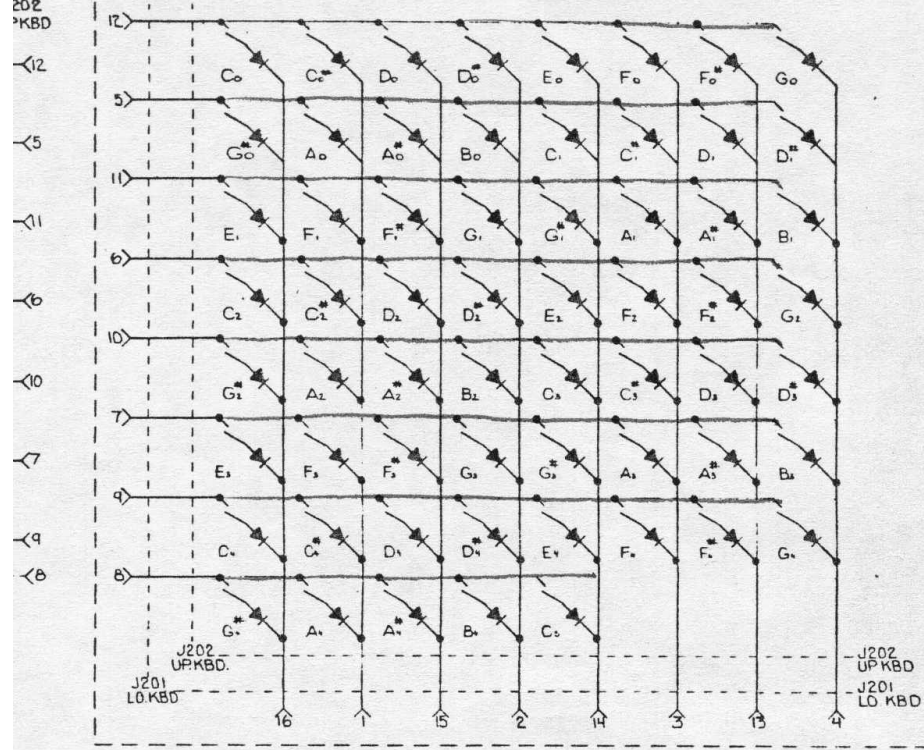
REV	1	DATE	6/2/60																																																																																																																																		
ENGR	1	DATE	4/18/60																																																																																																																																		
SEQUENTIAL CIRCUITS INC																																																																																																																																					
PCB3 COMPUTER BOARD			9-4																																																																																																																																		
<table border="1" style="width: 100%; border-collapse: collapse;"> <tr> <td style="width: 10%;">A</td> <td style="width: 10%;">J</td> <td style="width: 10%;">S</td> <td style="width: 10%;">V</td> <td style="width: 10%;">Z</td> </tr> <tr> <td>B</td> <td>K</td> <td>T</td> <td>W</td> <td>AA</td> </tr> <tr> <td>C</td> <td>L</td> <td>U</td> <td>X</td> <td>AB</td> </tr> <tr> <td>D</td> <td>M</td> <td>V</td> <td>Y</td> <td>AC</td> </tr> <tr> <td>E</td> <td>N</td> <td>W</td> <td>Z</td> <td>AD</td> </tr> <tr> <td>F</td> <td>O</td> <td>X</td> <td>AA</td> <td>AE</td> </tr> <tr> <td>G</td> <td>P</td> <td>Y</td> <td>AB</td> <td>AF</td> </tr> <tr> <td>H</td> <td>Q</td> <td>Z</td> <td>AC</td> <td>AG</td> </tr> <tr> <td>I</td> <td>R</td> <td>AA</td> <td>AD</td> <td>AH</td> </tr> <tr> <td>J</td> <td>S</td> <td>AB</td> <td>AE</td> <td>AI</td> </tr> <tr> <td>K</td> <td>T</td> <td>AC</td> <td>AF</td> <td>AJ</td> </tr> <tr> <td>L</td> <td>U</td> <td>AD</td> <td>AG</td> <td>AK</td> </tr> <tr> <td>M</td> <td>V</td> <td>AE</td> <td>AH</td> <td>AL</td> </tr> <tr> <td>N</td> <td>W</td> <td>AF</td> <td>AI</td> <td>AM</td> </tr> <tr> <td>O</td> <td>X</td> <td>AG</td> <td>AJ</td> <td>AN</td> </tr> <tr> <td>P</td> <td>Y</td> <td>AH</td> <td>AK</td> <td>AO</td> </tr> <tr> <td>Q</td> <td>Z</td> <td>AI</td> <td>AL</td> <td>AP</td> </tr> <tr> <td>R</td> <td>AA</td> <td>AJ</td> <td>AM</td> <td>AQ</td> </tr> <tr> <td>S</td> <td>AB</td> <td>AK</td> <td>AN</td> <td>AR</td> </tr> <tr> <td>T</td> <td>AC</td> <td>AL</td> <td>AO</td> <td>AS</td> </tr> <tr> <td>U</td> <td>AD</td> <td>AM</td> <td>AP</td> <td>AT</td> </tr> <tr> <td>V</td> <td>AE</td> <td>AN</td> <td>AQ</td> <td>AV</td> </tr> <tr> <td>W</td> <td>AF</td> <td>AO</td> <td>AR</td> <td>AW</td> </tr> <tr> <td>X</td> <td>AG</td> <td>AP</td> <td>AS</td> <td>AX</td> </tr> <tr> <td>Y</td> <td>AH</td> <td>AQ</td> <td>AT</td> <td>AY</td> </tr> <tr> <td>Z</td> <td>AI</td> <td>AR</td> <td>AV</td> <td>AZ</td> </tr> </table>				A	J	S	V	Z	B	K	T	W	AA	C	L	U	X	AB	D	M	V	Y	AC	E	N	W	Z	AD	F	O	X	AA	AE	G	P	Y	AB	AF	H	Q	Z	AC	AG	I	R	AA	AD	AH	J	S	AB	AE	AI	K	T	AC	AF	AJ	L	U	AD	AG	AK	M	V	AE	AH	AL	N	W	AF	AI	AM	O	X	AG	AJ	AN	P	Y	AH	AK	AO	Q	Z	AI	AL	AP	R	AA	AJ	AM	AQ	S	AB	AK	AN	AR	T	AC	AL	AO	AS	U	AD	AM	AP	AT	V	AE	AN	AQ	AV	W	AF	AO	AR	AW	X	AG	AP	AS	AX	Y	AH	AQ	AT	AY	Z	AI	AR	AV	AZ
A	J	S	V	Z																																																																																																																																	
B	K	T	W	AA																																																																																																																																	
C	L	U	X	AB																																																																																																																																	
D	M	V	Y	AC																																																																																																																																	
E	N	W	Z	AD																																																																																																																																	
F	O	X	AA	AE																																																																																																																																	
G	P	Y	AB	AF																																																																																																																																	
H	Q	Z	AC	AG																																																																																																																																	
I	R	AA	AD	AH																																																																																																																																	
J	S	AB	AE	AI																																																																																																																																	
K	T	AC	AF	AJ																																																																																																																																	
L	U	AD	AG	AK																																																																																																																																	
M	V	AE	AH	AL																																																																																																																																	
N	W	AF	AI	AM																																																																																																																																	
O	X	AG	AJ	AN																																																																																																																																	
P	Y	AH	AK	AO																																																																																																																																	
Q	Z	AI	AL	AP																																																																																																																																	
R	AA	AJ	AM	AQ																																																																																																																																	
S	AB	AK	AN	AR																																																																																																																																	
T	AC	AL	AO	AS																																																																																																																																	
U	AD	AM	AP	AT																																																																																																																																	
V	AE	AN	AQ	AV																																																																																																																																	
W	AF	AO	AR	AW																																																																																																																																	
X	AG	AP	AS	AX																																																																																																																																	
Y	AH	AQ	AT	AY																																																																																																																																	
Z	AI	AR	AV	AZ																																																																																																																																	

Q TB101 P.2



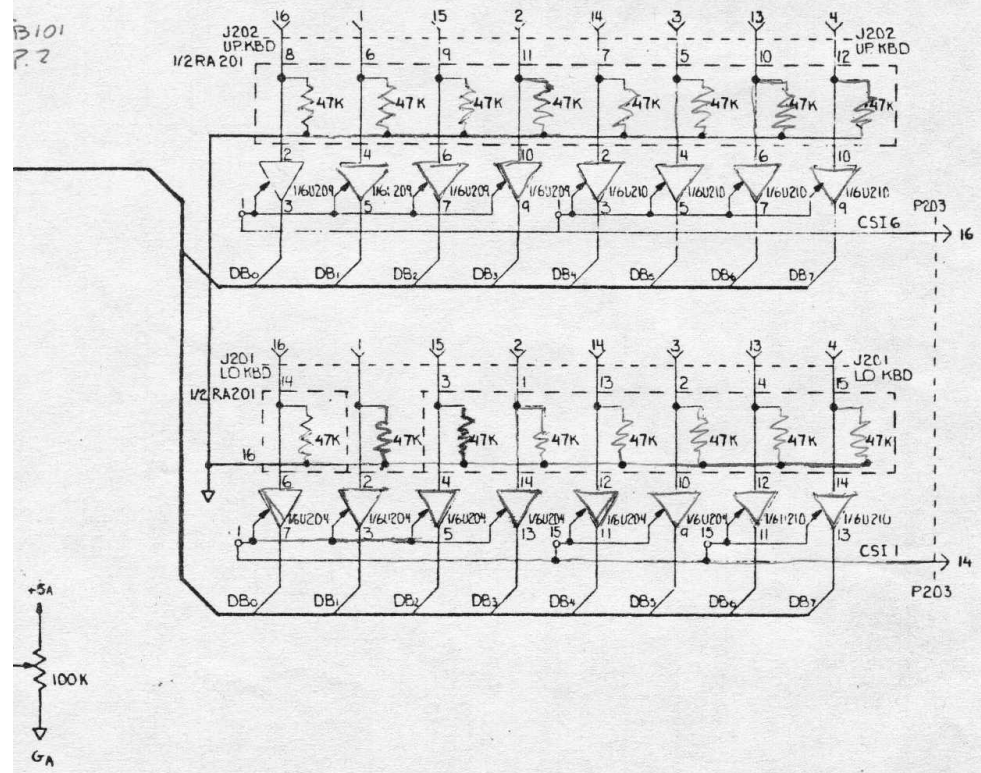
4

6
202
KBD

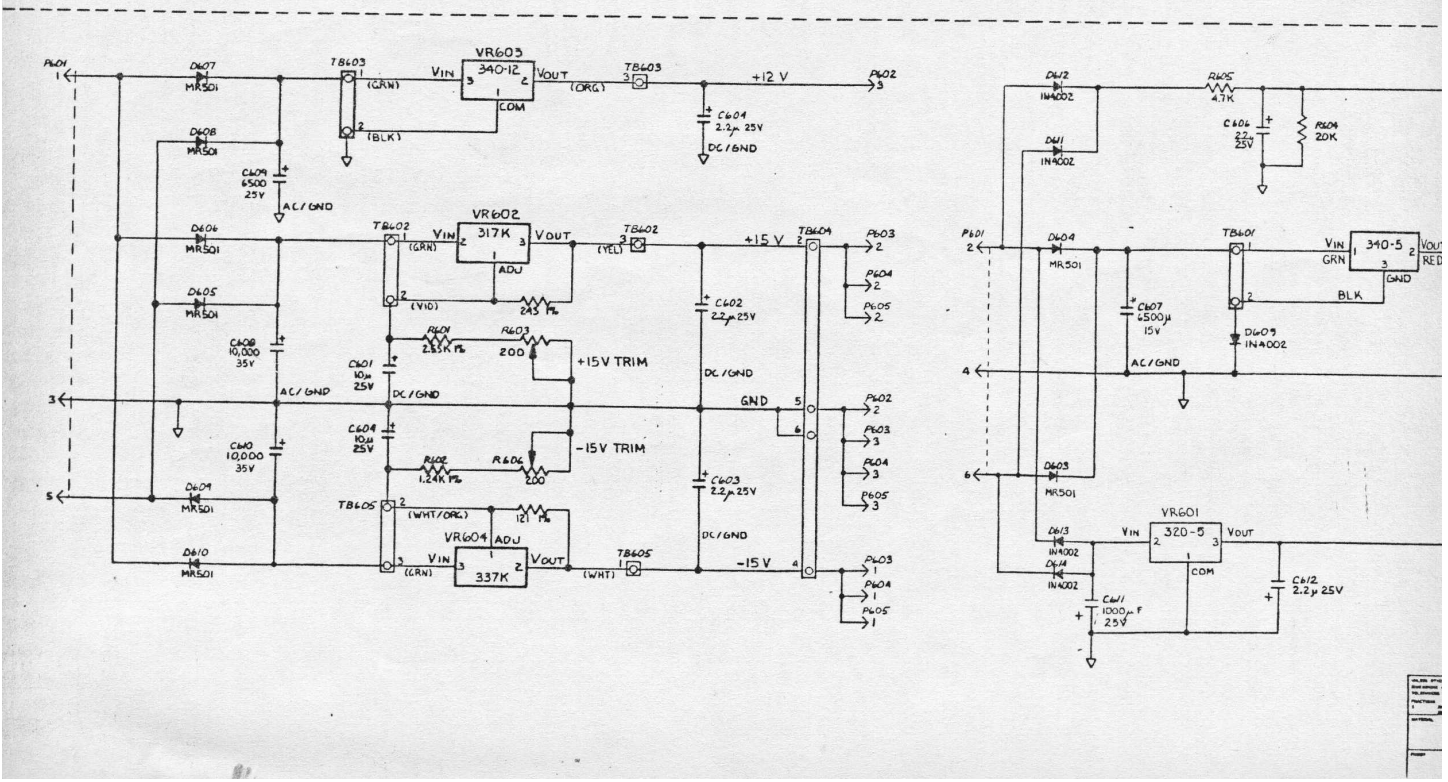
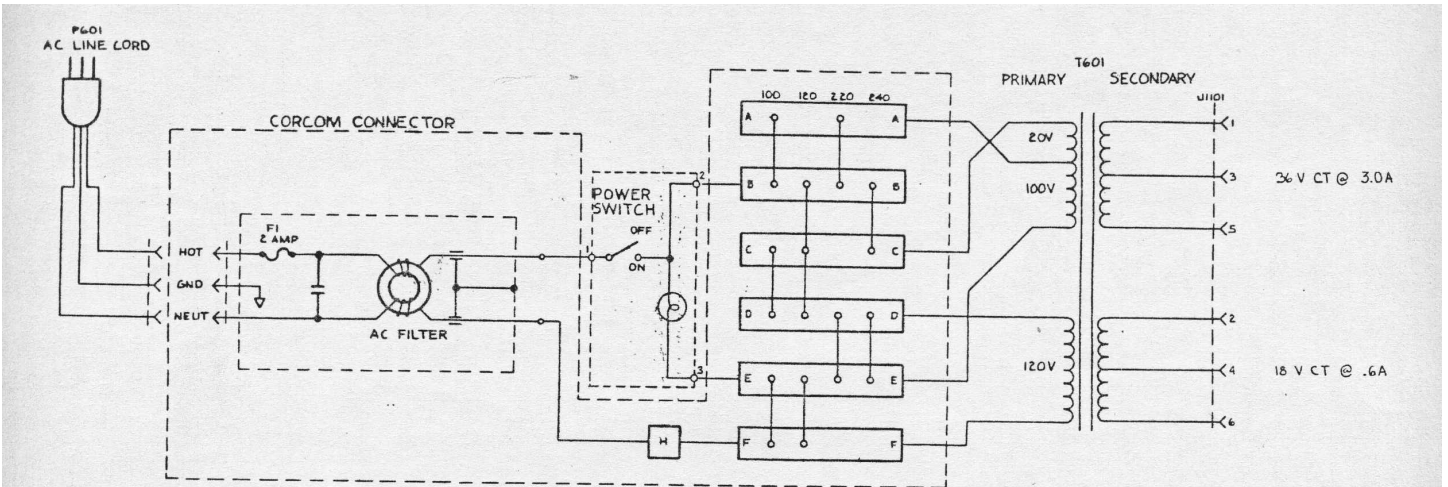


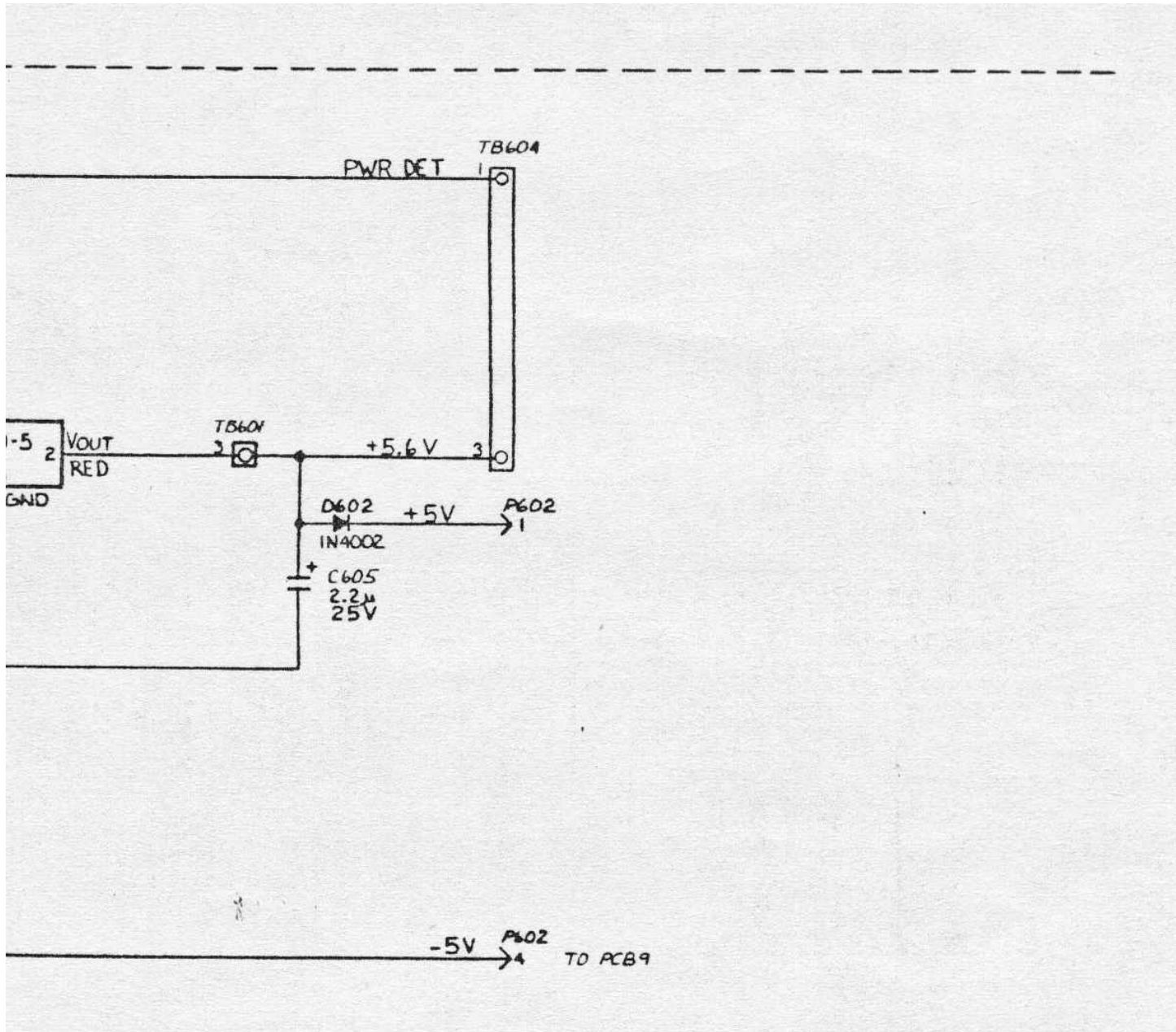
KEYBOARD
SWITCHES
REM. POTS

B101
P. 2



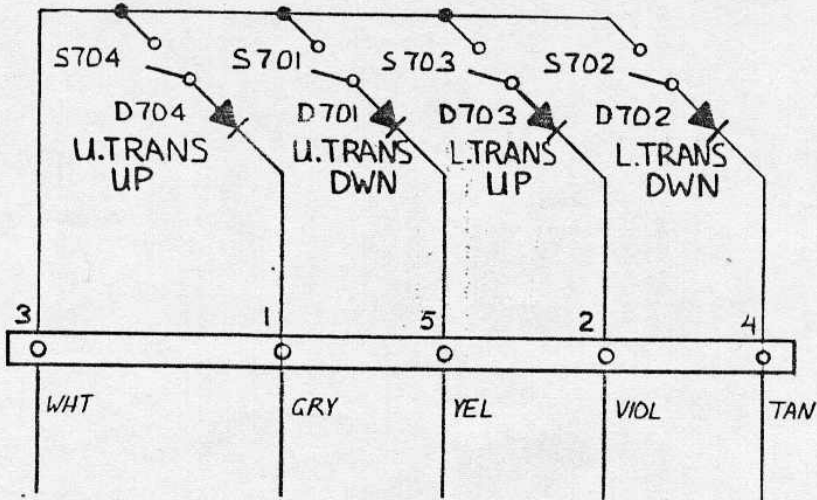
REVISIONS		DATE		BY		REV		ISS	
TITLE		DRAWN		CHECKED		DATE		BY	
PCB 2 (LEFT CONTROL PANEL)		S. W. L.				7/17/79			
PROJECT		APP		DOC		REV		ISS	
GA. RN. PERIPH DRVR									
SHEET 2 OF 2		SD212 2-2		7010					





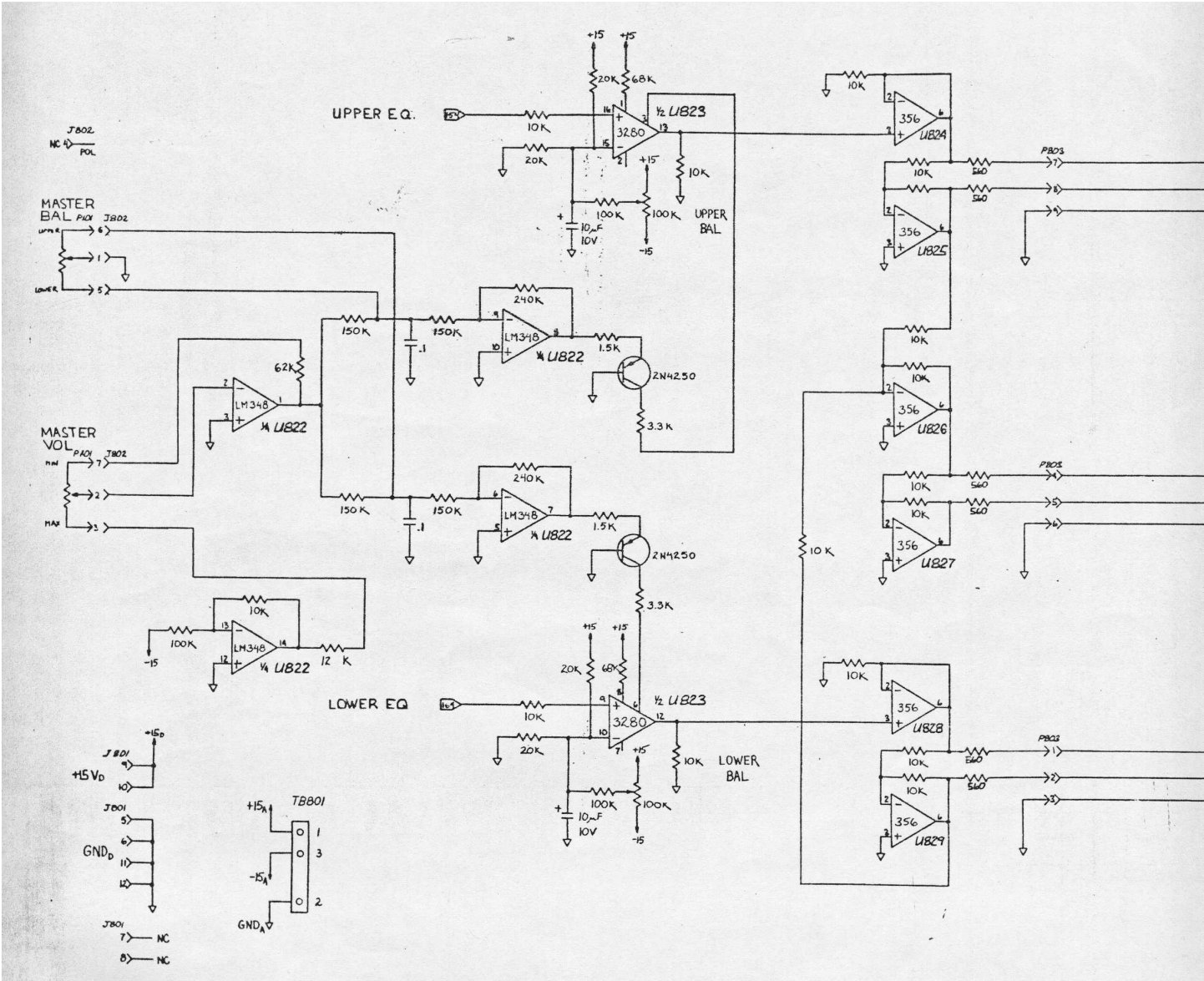
<small>UNLESS OTHERWISE SPECIFIED DIMENSIONS ARE IN INCHES TOLERANCES ARE</small>		J	SEQUENTIAL CIRCUITS INC		
<small>FUNCTION</small>		K			
<small>REV. 1</small>		G	<small>TITLE</small> PCB-6 POWER SUPPLY		
<small>DATE</small>		F	<small>REV. D</small>		
<small>BY</small>		E	<small>MODEL NO. 1010</small>		
<small>CHKD</small>		D	<small>DOCUMENT NO.</small>		
<small>APP'D</small>		C	<small>DATE</small>		

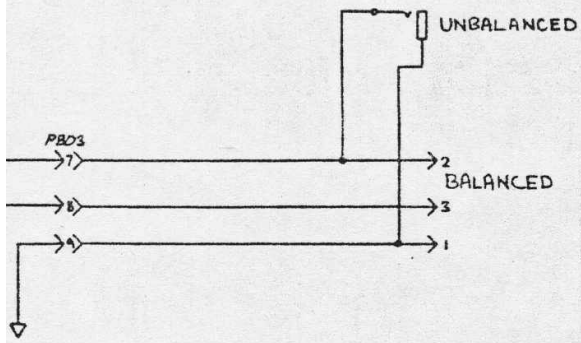
TB701



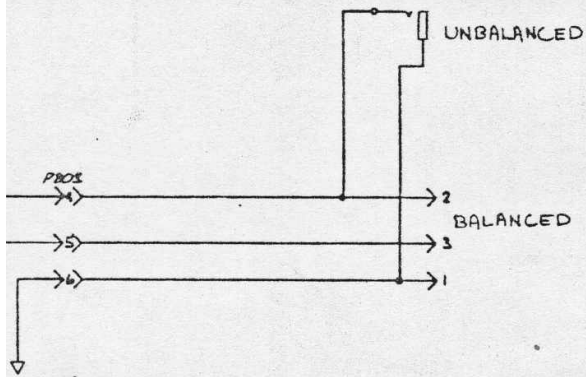
UNLESS OTHERWISE SPECIFIED DIMENSIONS ARE IN INCHES TOLERANCES ARE:								
FRACTIONS	DECIMALS	ANGLES						
±	.XX ±	±						
	.XXX ±							
MATERIAL								
FINISH								
SCALE NONE				FIRST / LAST S/M	DATE	ECR No	REVISION	

J	SEQUENTIAL CIRCUITS INC			
H				
G				
F	TITLE PCB 7			
E	TRANSPOSITION CONTROLLER			
D	DSN	DATE	SIZE D	MODEL No. 1010
C	DWG <i>D. A. S.</i>	5/9/80	DOCUMENT No	
B	SD 711			
A	APP			
REVISION	LTR	ISS	SUPERSEDES SD701	SHEET 1 OF 1

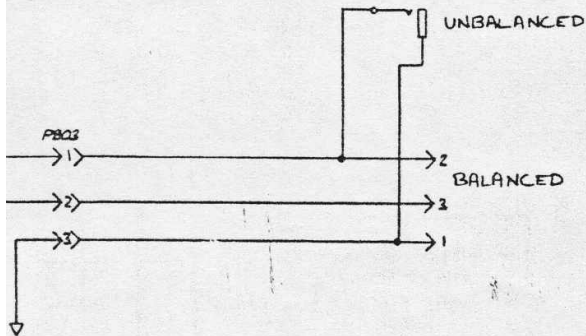




UPPER
AUDIO
OUT

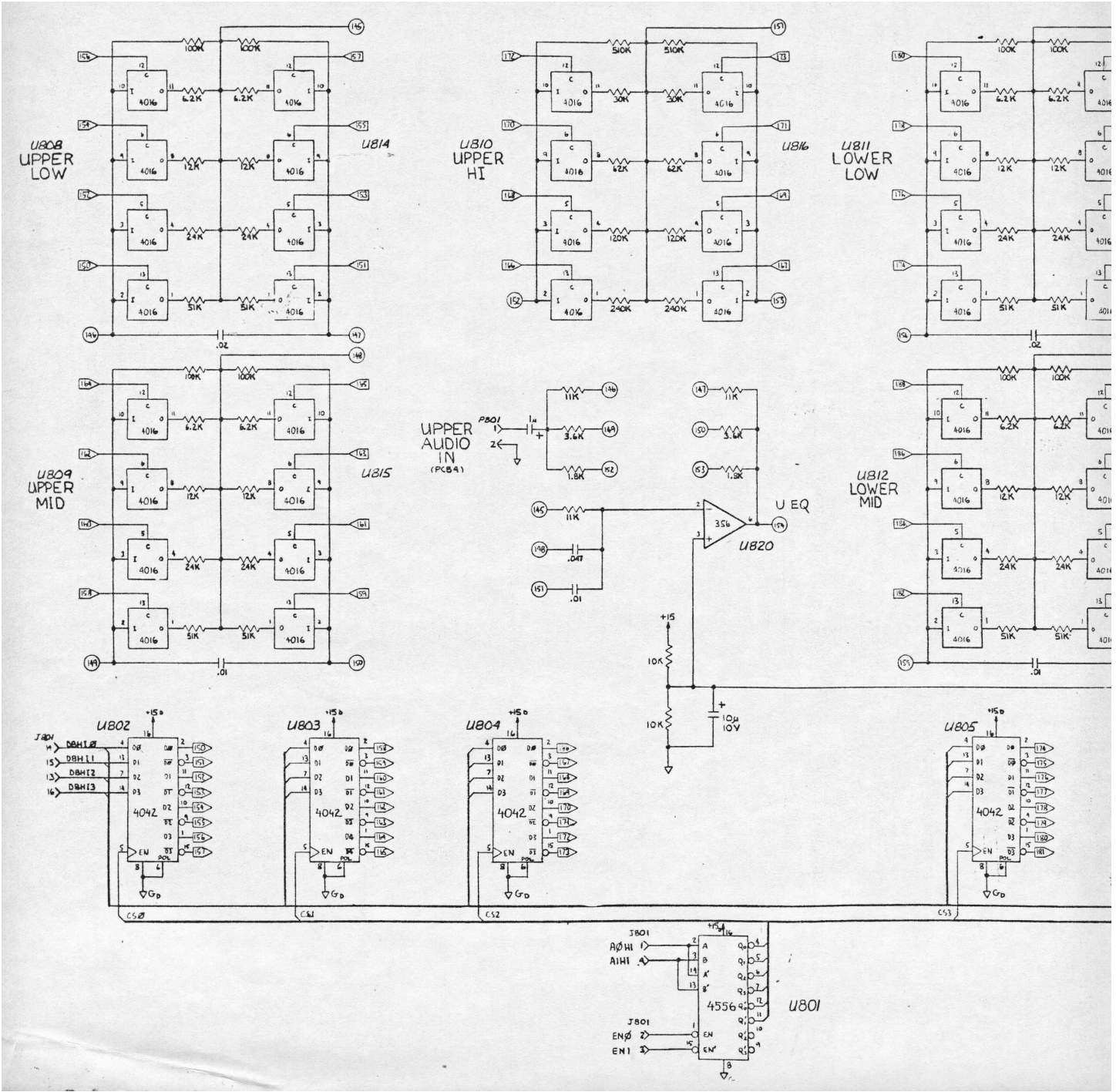


MONO
AUDIO
OUT



LOWER
AUDIO
OUT

REV	By <i>CLT</i>	DATE	5/7/74
ENGR	By <i>White</i>	DATE	4/10
SEQUENTIAL CIRCUITS INC			
TITLE			
PCB 8 EQ/AUDIO OUTPUT			
D	DRN	REV	D
C	DRG	DATE	5-14-74
B	APP	DOCUMENT NO.	SDR11



UB08
UPPER
LOW

UB10
UPPER
HI

UB11
LOWER
LOW

UB09
UPPER
MID

UPPER
AUDIO
IN
(PCB 4)

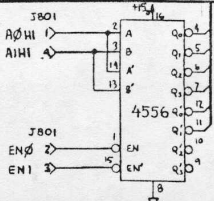
UB12
LOWER
MID

UB02

UB03

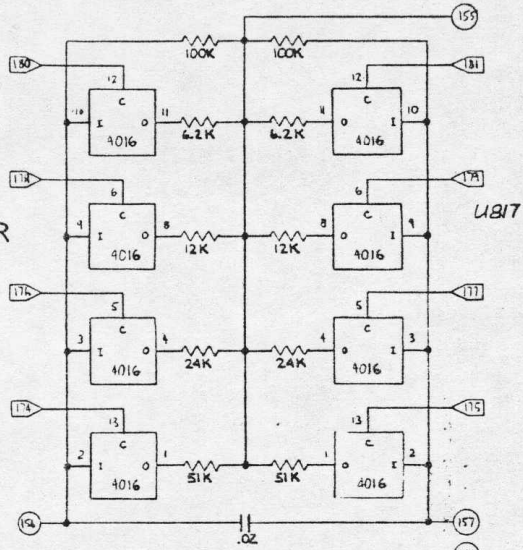
UB04

UB05

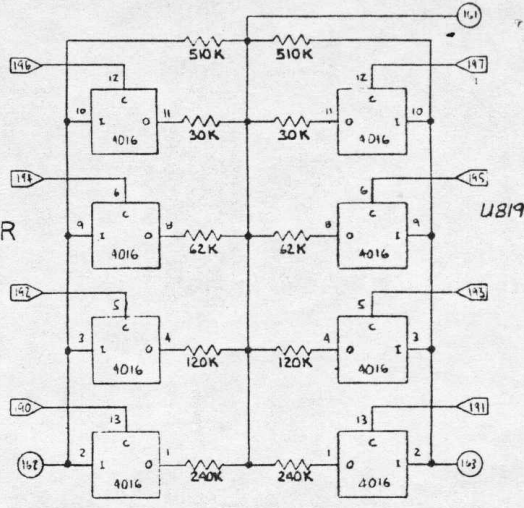


U801

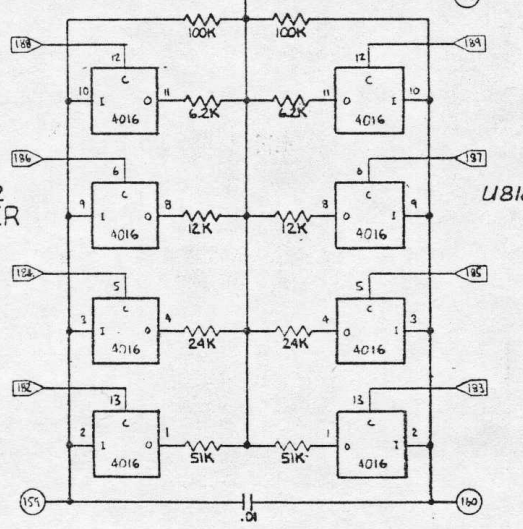
U811
LOWER
LOW



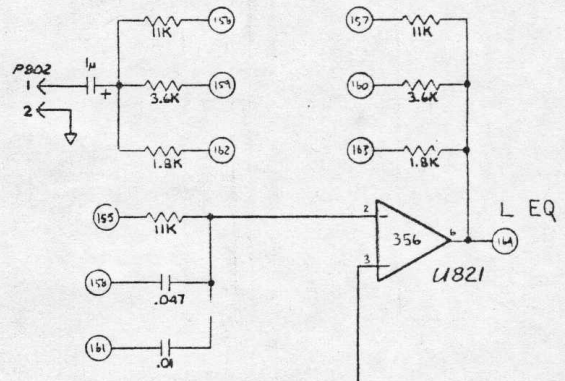
U813
LOWER
HI



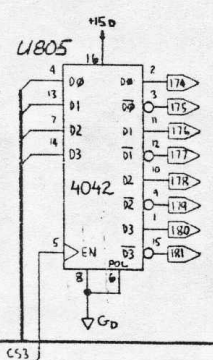
U812
LOWER
MID



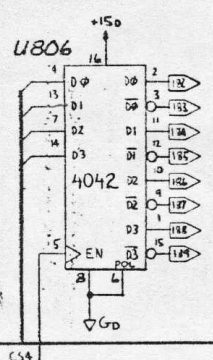
LOWER
AUDIO
IN
(PCBS)



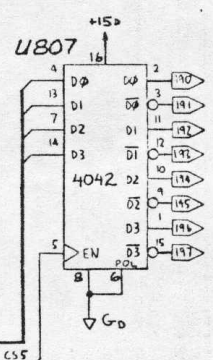
U805



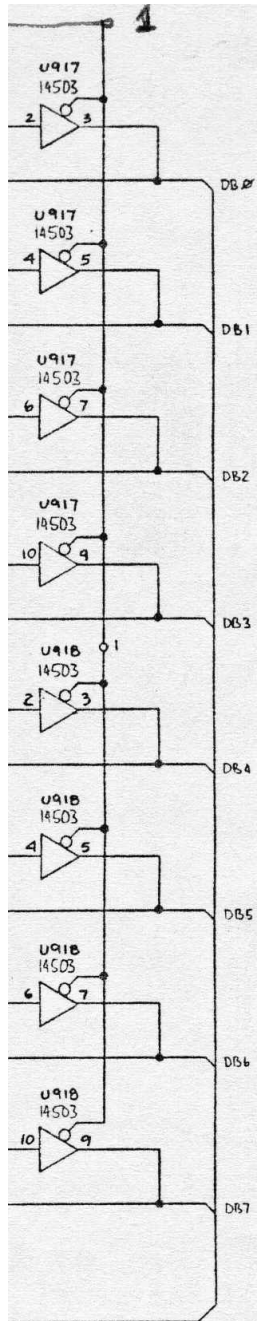
U806



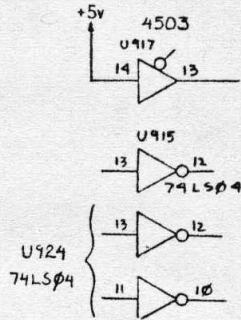
U807



DESIGNER: [] CHECKED BY: [] DATE: []		SEQUENTIAL CIRCUITS INC TITLE: PCB 8 EQ/AUDIO OUT	
D: DBM C: DWS B: APP	SIZE: D SHEET: 1010	DOCUMENT NO: MD811	

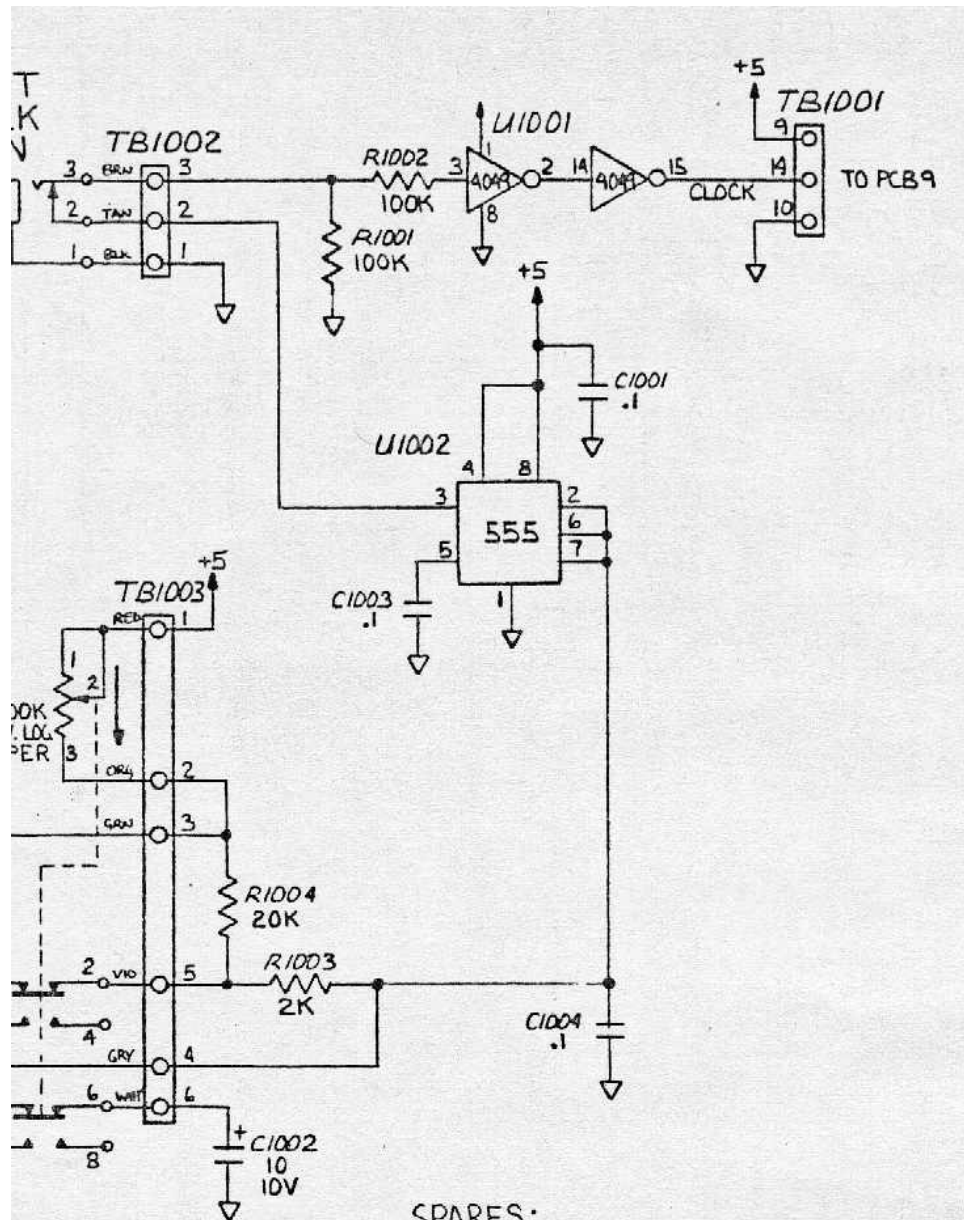


SPARES:

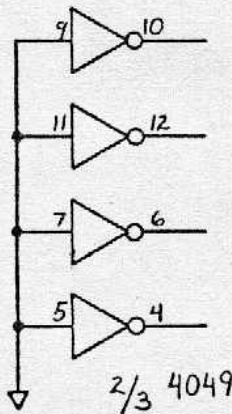


SECTION

NONE PART LAY DATE REV IN REVISION				SEQUENTIAL CIRCUITS INC TITLE PCB9 - POLYPHONIC SEQUENCER 25MHZ CLOCK/RAM DSN 74274 APP ISS				MODEL NO 1010 DOCUMENT NO SD912 SHEET 2 OF 2	
--	--	--	--	---	--	--	--	--	--

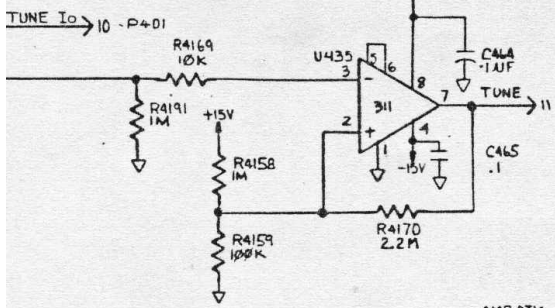
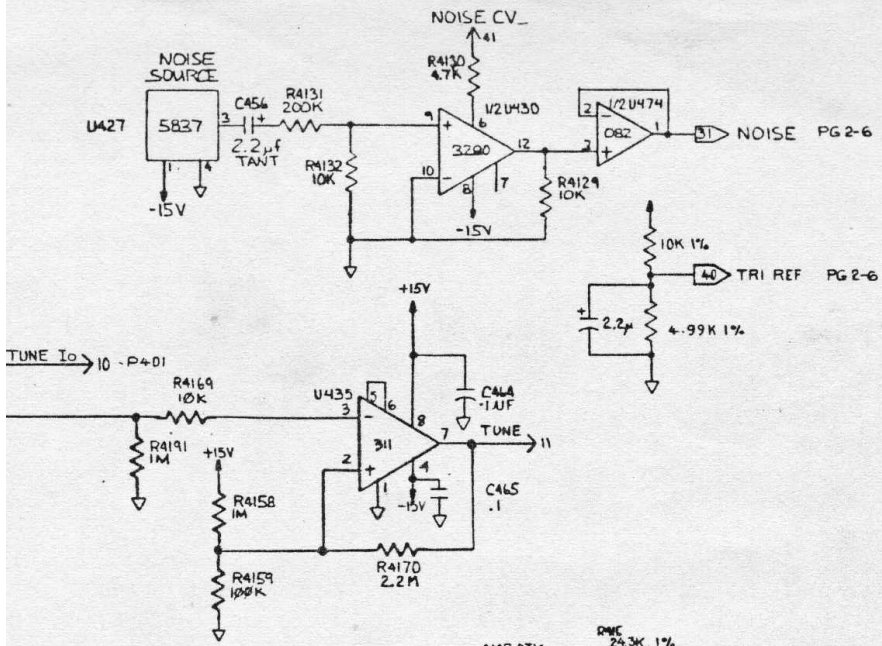


SPARES:

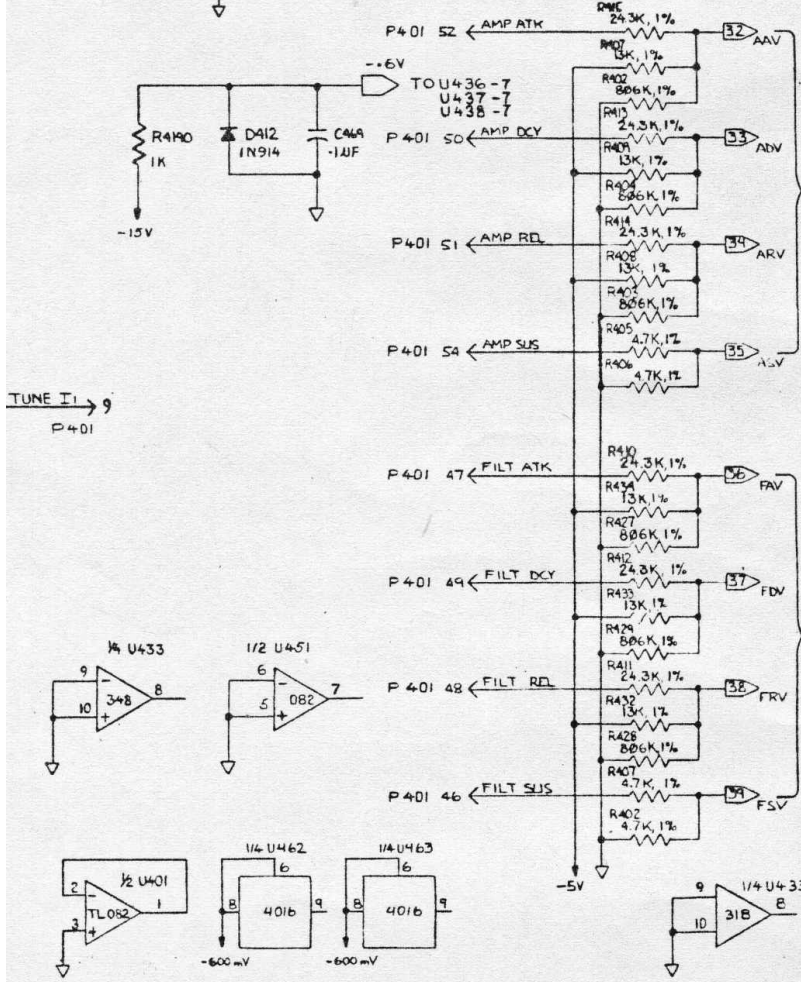


J	SEQUENTIAL CIRCUITS INC				
H	TITLE PCB 10				
G	POLY-SEQUENCER CONTROLLER				
F	DSN	DATE	REV	C	MODEL NO. 1010
E	DWG	5/24/80		DOCUMENT NO.	521011

19

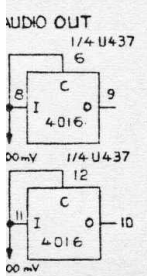
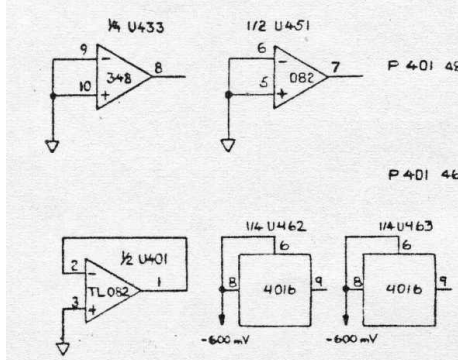


TL082
 o TL072
 o CA82



TO ALL AMP
 ENV GENs
 PG 2-E

TO ALL FILT
 EVN GENs

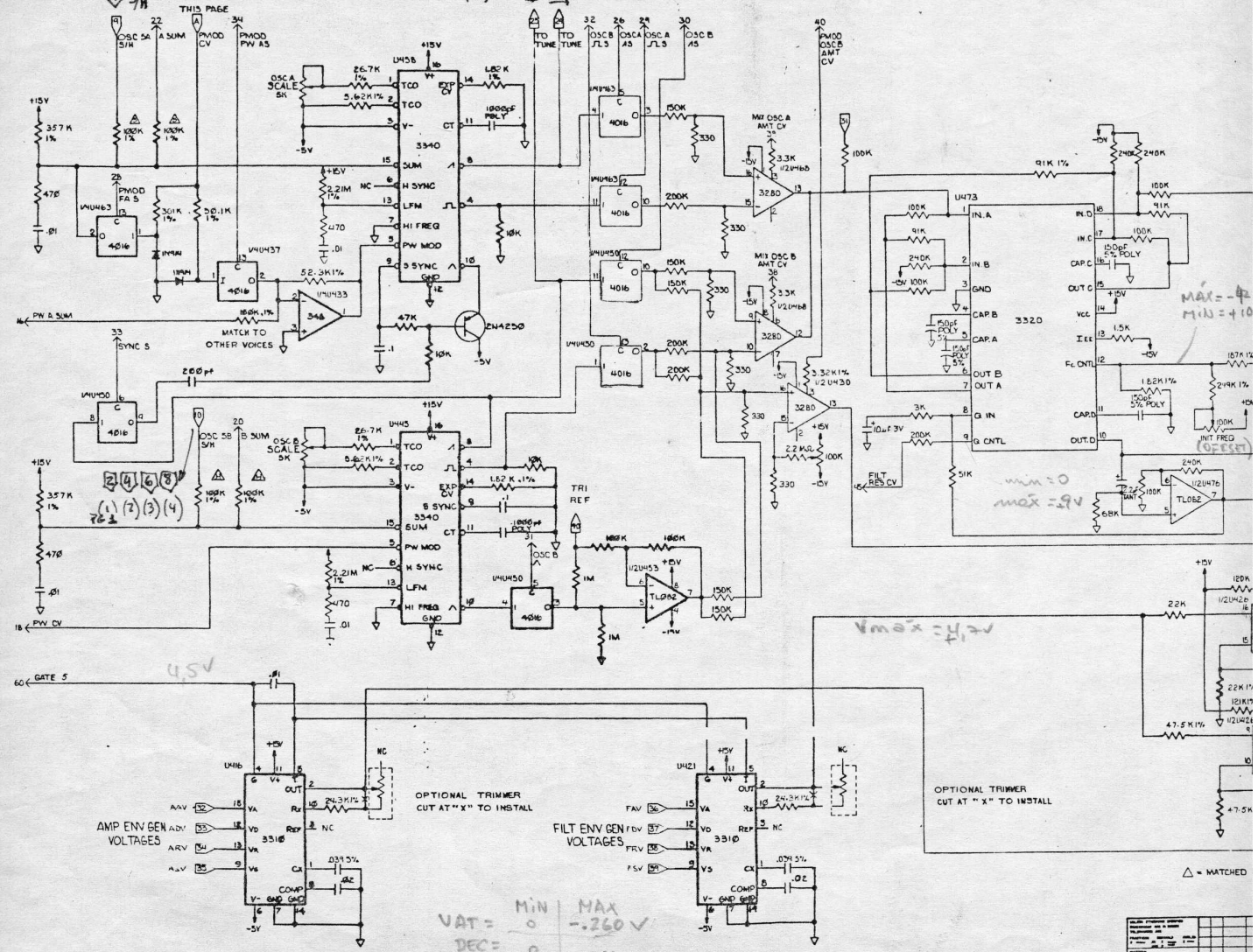


UNLESS OTHERWISE SPECIFIED RESISTANCE IN OHMS TOLERANCES ARE AS SHOWN CAPACITANCE IN P.F. UNLESS OTHERWISE SPECIFIED		J	SEQUENTIAL CIRCUITS INC	
PARTS LIST		H	TITLE PCB 4-(KCV, S/H, TUN MUX, FINAL VCA, NOISE)	
REVISIONS		F	DATE	1/2/19
DATE		E	DESIGNED BY	DOCUMENT NO.
SCALE NONE		D	CHKD BY	SD430
DATE		C	APP	
REVISION		B	APP	
DATE		A	APP	
REVISION		L	ISS	SHEET 1 OF 6

REVISED BY K... 2-7-80
 2-19 AC
 J.C. 17 of 15

- ① OSC 1A S/H
- ② OSC 2A S/H
- ③ OSC 3A S/H
- ④ OSC 4A S/H

- (4) 23 22
- (3) 20 21
- (2) 14 18
- (1) 13 16



① ② ③ ④
⑤ ⑥ ⑦ ⑧

4.5V

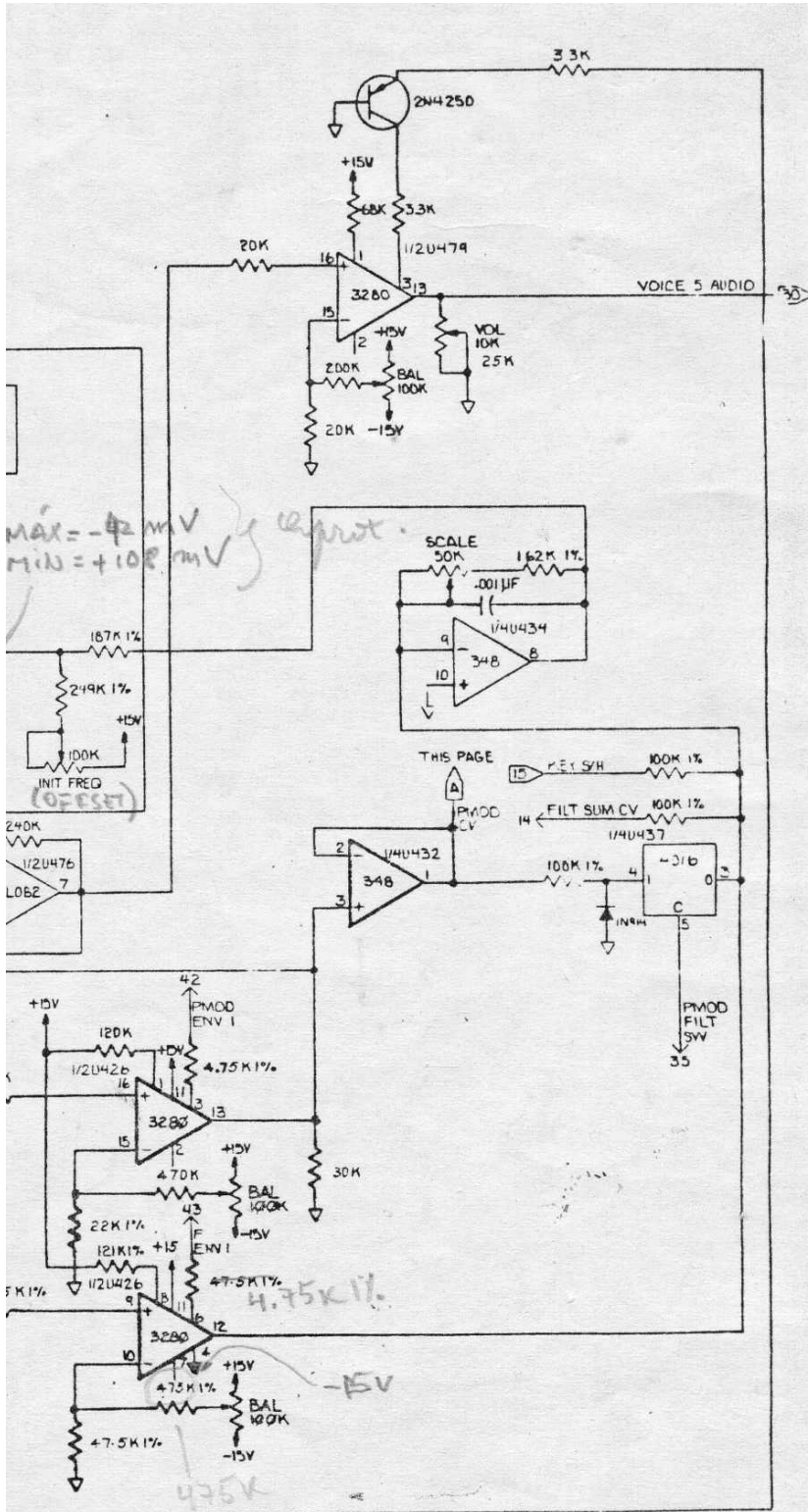
AMP ENV GEN VOLTAGES

	MIN	MAX
VAT =	0	-0.260V
DEC =	0	"
SUST =	0	+4.6V
REL =	0	-0.260V

OPTIONAL TRIMMER CUT AT "X" TO INSTALL

REF	NONE	DATE

△ = MATCHED



PARA AFINAR
 VCF =
 UP A = SCALE
 LO A = OFFSET
 VARIAS VECES

△ = MATCHED RESISTORS (NUMBERED TO MATCH EACH OTHER)

J		SEQUENTIAL CIRCUITS INC	
H		TITLE	
G		PCB 4 (VOICE 5)	
F		REV. # 1010	
E		DATE 12/20/79	
D		DRAWN	
C		APP	
B		SD4 35	
A		SHEET 1 OF 1	
REVISED BY	DATE	CHK'D	REVISION
KLING	2-11-80		

